

A Passion for Excellence

PARTS LIST

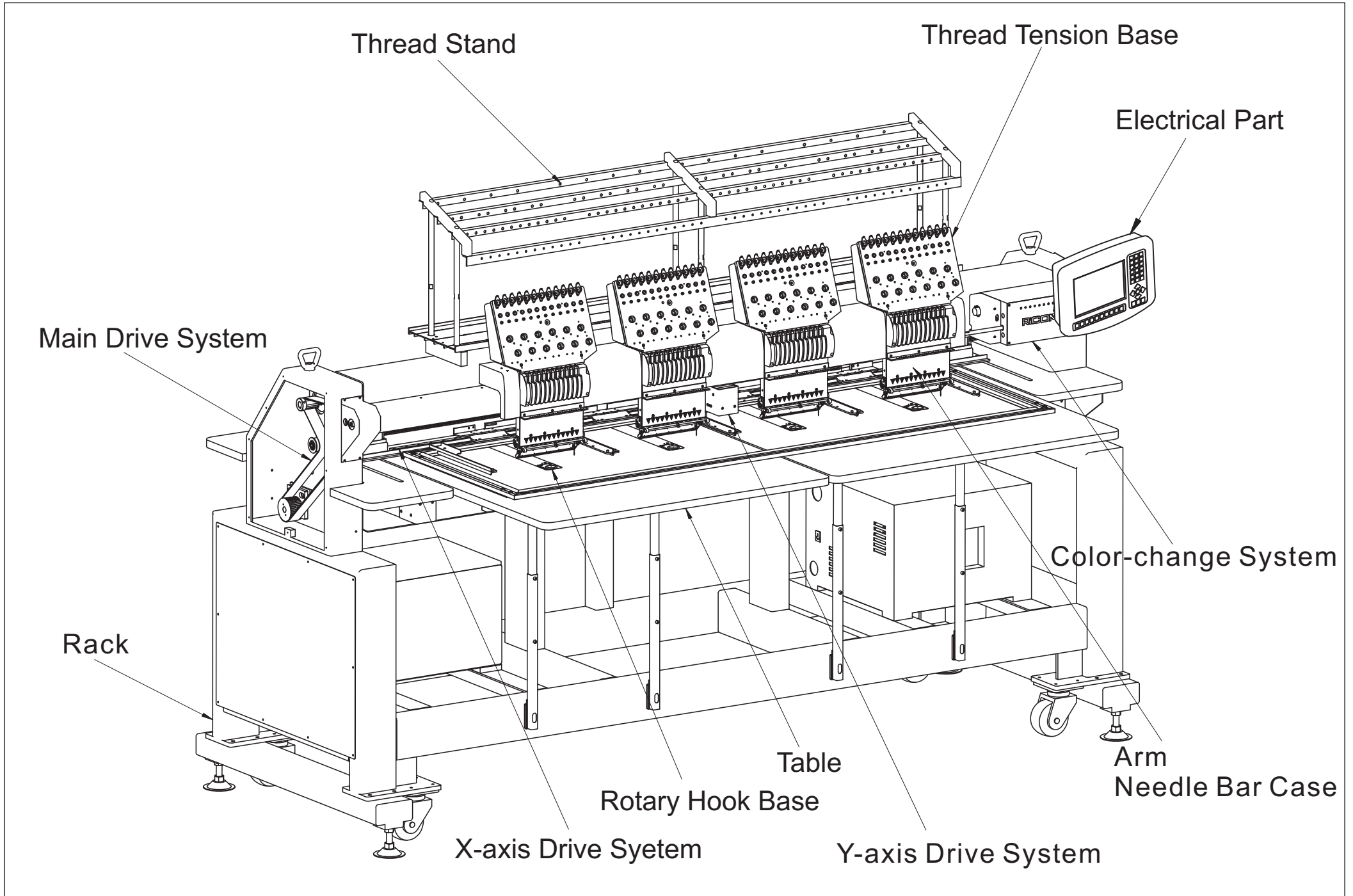
FOR MUTI-HEAD EMBROIDERY MACHINE

RICOMA[®]

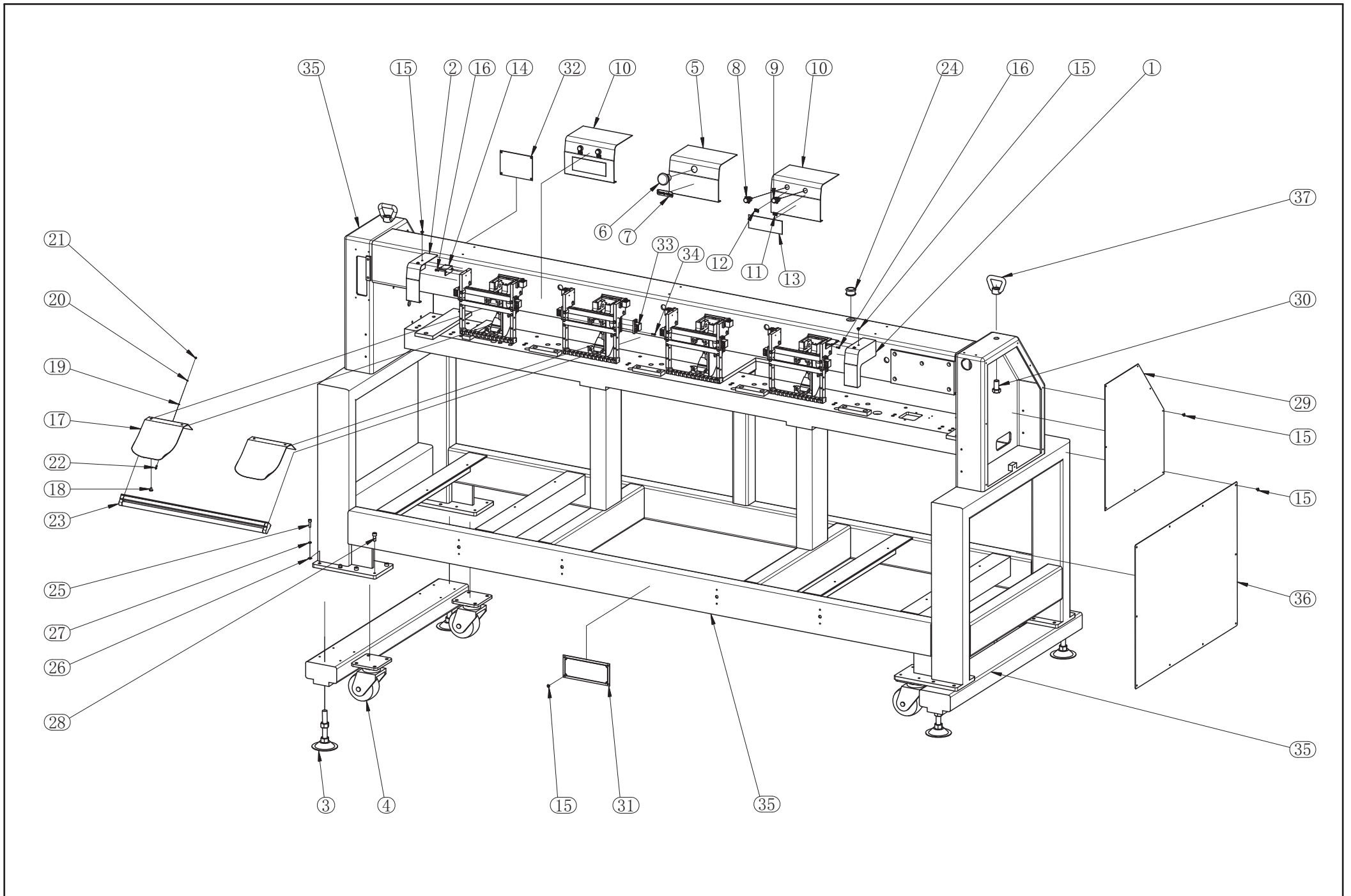
00.General View	01
01. Rack	02
02. Table	04
03.Main Drive System - 1	06
Main Drive System - 2	08
04.Rotary Hook Base - 1	10
Rotary Hook Base - 2	12
05.Color-change System	14
06.Color-change System - 2 Heads	16
07.Ordinary Arm - A	18
08.Ordinary Arm - B	20
09.High Speed Arm - A	22
10.High Speed Arm - B	24
11.High Speed Arm - C	26
12.Ordinary Needle Bar Case - 1	28
Ordinary Needle Bar Case - 2	30
13.High Speed Needle Bar Case - 1	32
High Speed Needle Bar Case - 2	34
14.Ordinary Upper Thread Hook	36
15.High Speed Upper Thread Hook	38
16.Trimming System	40
17.X-axis Drive System	42
18.Y-axis Drive System - 1	44
Y-axis Drive System - 2	46
19.Thread Tension Base I	48

20.Thread Tension Base II	50
21.Thread Stand	52
22.Frame	54
23.Cap Frame - A	56
24.Cap Frame - B	58
25.Clothing Frame	60
26.Electrical Part	62
27.Electrical Part - 2 Heads	64

General View



Rack

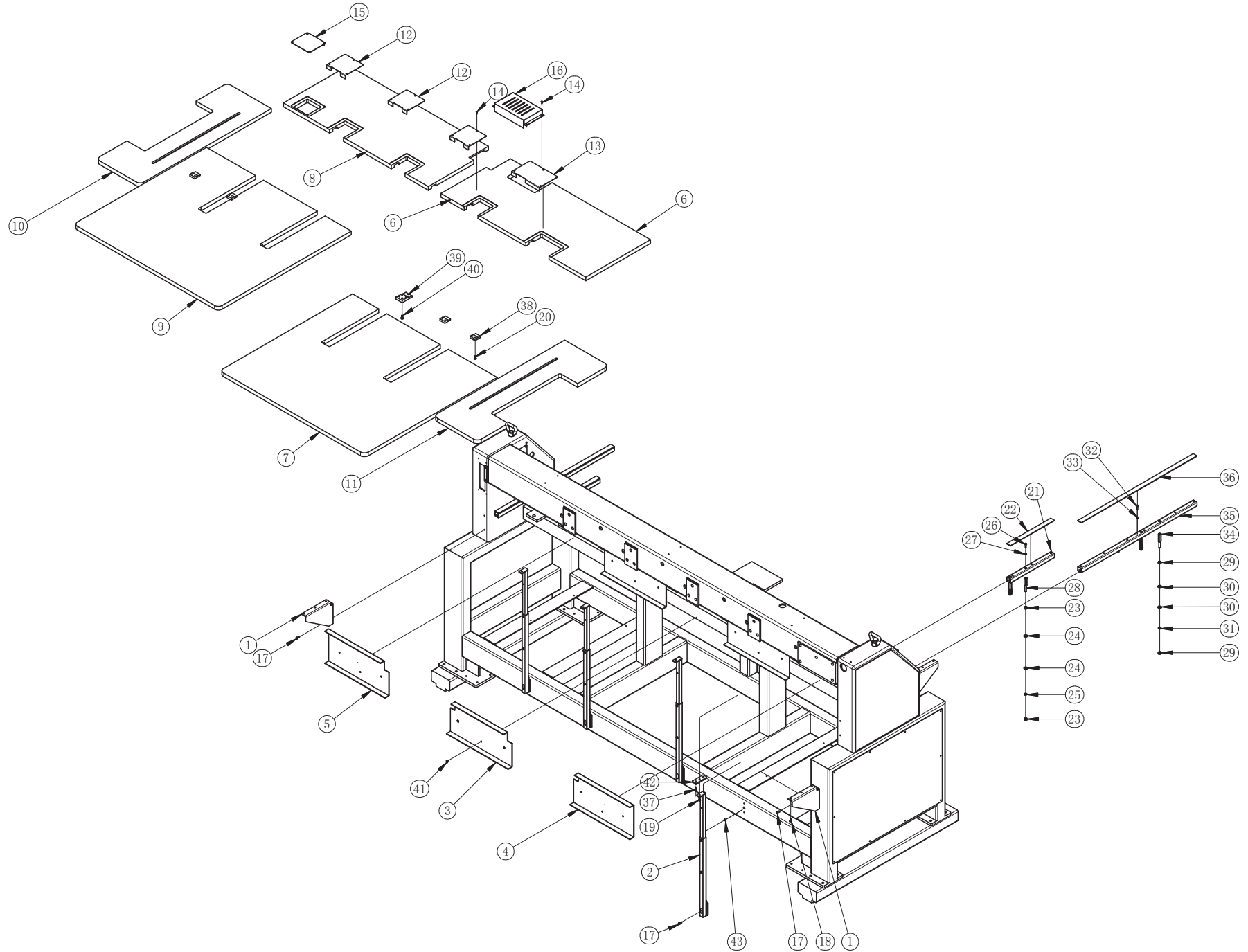


Rack

No	Part Number	Description
1	01227123	Arm Cover - Right
2	01227112	Arm Cover - Left
3	80276062	Bracket
4	80270201	Truckle
5	01227153	Cover Bracket
6	80350301	Emergency Switch
7	80050601	Shutdown Logo
8	80350102	F16 Button - Green
9	80350101	F16 Button - Red
10	01227152	Arm Cover - Shut Down
11	80050602	Stop Logo
12	80050603	Start Logo
13	80050605	Warning Logo A
14	01227182	Arm Standoff
15	80746406	Philip's Head Screw M4x6
16	80813308	Hex Socket Cap Screw M3x8
17	02812101	Baffle Plate
18	80746508	Philip's Head Screw M5x8
19	80900301	Washer M3
20	80900311	Spring Washer M3
21	80900321	Nut M3
22	80742308	Flange Philip's Screw M3x8
23	80240101	Daylight Lamp - 28W
23	80240102	Daylight Lamp - 21W

No	Part Number	Description
24	80221001	Threading Jacket
25	80813620	Hex Socket Cap Screw M6x20
26	80900608	Washer M6
27	80900618	Spring Washer M6
28	80813820	Hex Socket Cap Screw M8x20
29	21810201	Upper Rack Cover Plate
30	80794630	Outside Hex Screw M16x30
31	80050202	Logo
32	80050203	Embroidery Machine Name Plate
33	01227104	Strong Door Stopper
34	80813310	Hex Socket Cap Screw M3x10
35	21230360	Complete Machine Rack -4T
36	21812505	Plates on Both Sides of Lower Rack
37	80920156	Triangle Hook
38		
39		
40		
41		
42		
43		
44		
45		
46		
47		

Table

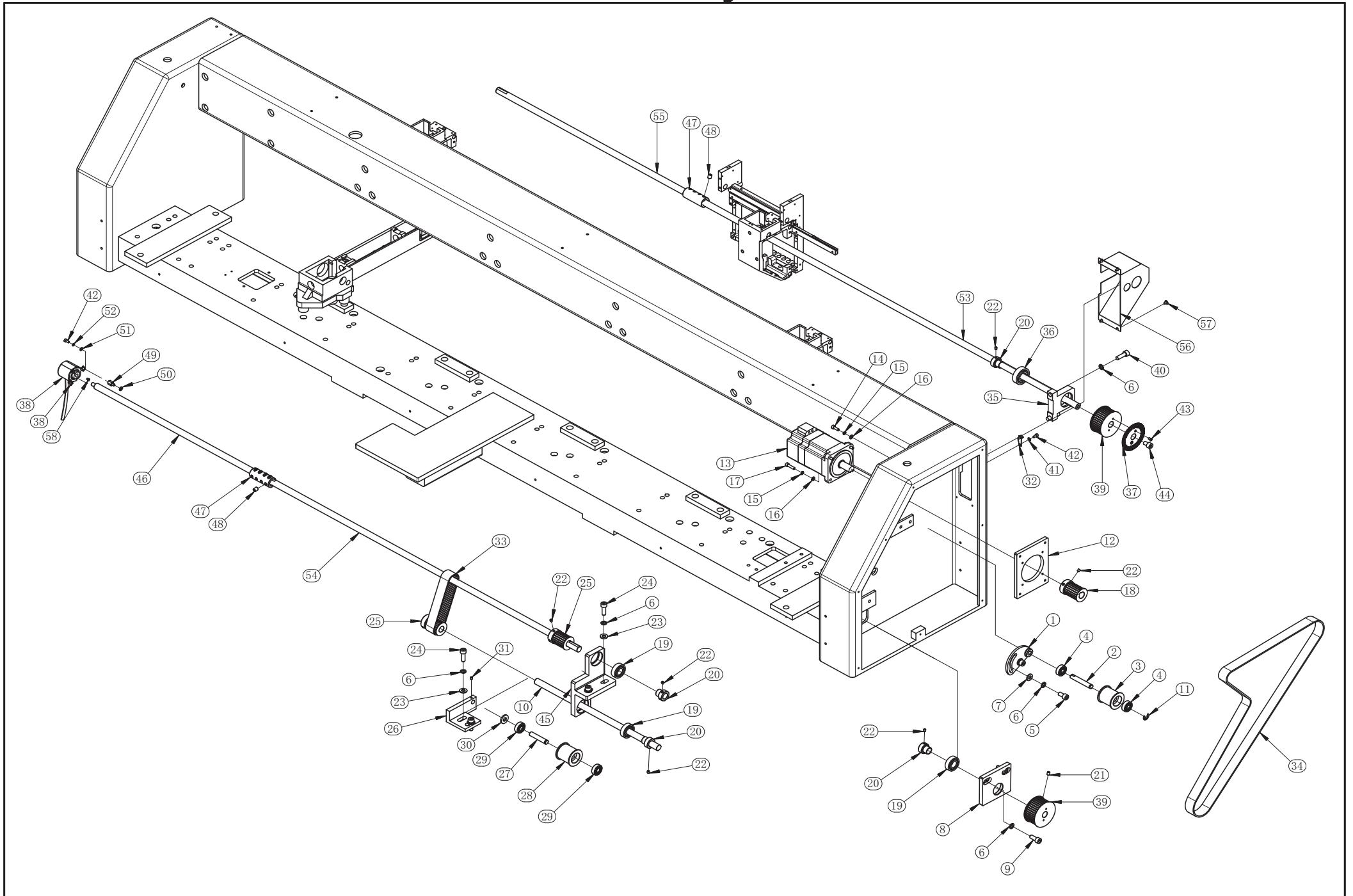


Table

No	Part Number	Description
1	02730141	Table Back Cover - Left
2	02730385	Middle Support
3	02701132	Shuttle Box Lower Housing
4	02701101	Lower Housing Right 390
5	02701102	Lower Housing Left 390
6	21234111	Table-Rear A-4T400X450Y450
7	21234121	Table-Front A-4T400X450Y450
8	21234112	Table-Rear Z-4T400X450Y450
9	21234122	Table-Front Z-4T400X450Y450
10	21234102	Table -Z-4T400X450Y450
11	21234101	Table -A-4T400X450Y450
12	02701003	Shuttle Box Rear Cover
13	02701004	Small Shuttle Box cover Plate
14	80700302	Philip's Head Screw M3x12
15	02701030	Cover Plate-Lower Axis
16	02703102	Motor Housing 110-170
17	80813512	Hex Socket Head Screw M5x12
18	80700121	Self-tapping Screw 4x16
19	80040510	Hex Socket Cap Screw M5x8
20	80700121	Self-tapping Screw 4x16
21	02730102	Table Support
22	02730103	Rubber Cushion
23	80900821	Nut M8
24	80900801	Washer M8

No	Part Number	Description
25	80900811	Spring Washer M8
26	80810516	Hex Socket Cap Screw M5x16
27	80900513	Spring Washer M5
28	80920401	Table Support Bolt M8x35
29	80900821	Hex Nut M8
30	80900801	Washer M8
31	80900811	Spring Washer M8
32	80810516	Hex Socket Cap Screw M5x16
33	80900513	Spring Washer M5
34	80920401	Table Support Bolt M8x35
35	02730120	Both End Table Support-Y550
36	02730104	Rubber Cushion -Y550
37	80700320	Self-tapping Screw M3.5x20
38	02730201	Table Plastic Fixture Block
39	02730202	Table Lower Fixture Block
40	80813610	Hex Socket Cap Screw M6x10
41	80746406	Philip's Head Screw M4x6
42	02730301	Rack Support Seat
43	80900508	Washer M5
44		
45		
46		
47		
48		

Main Drive System - 1

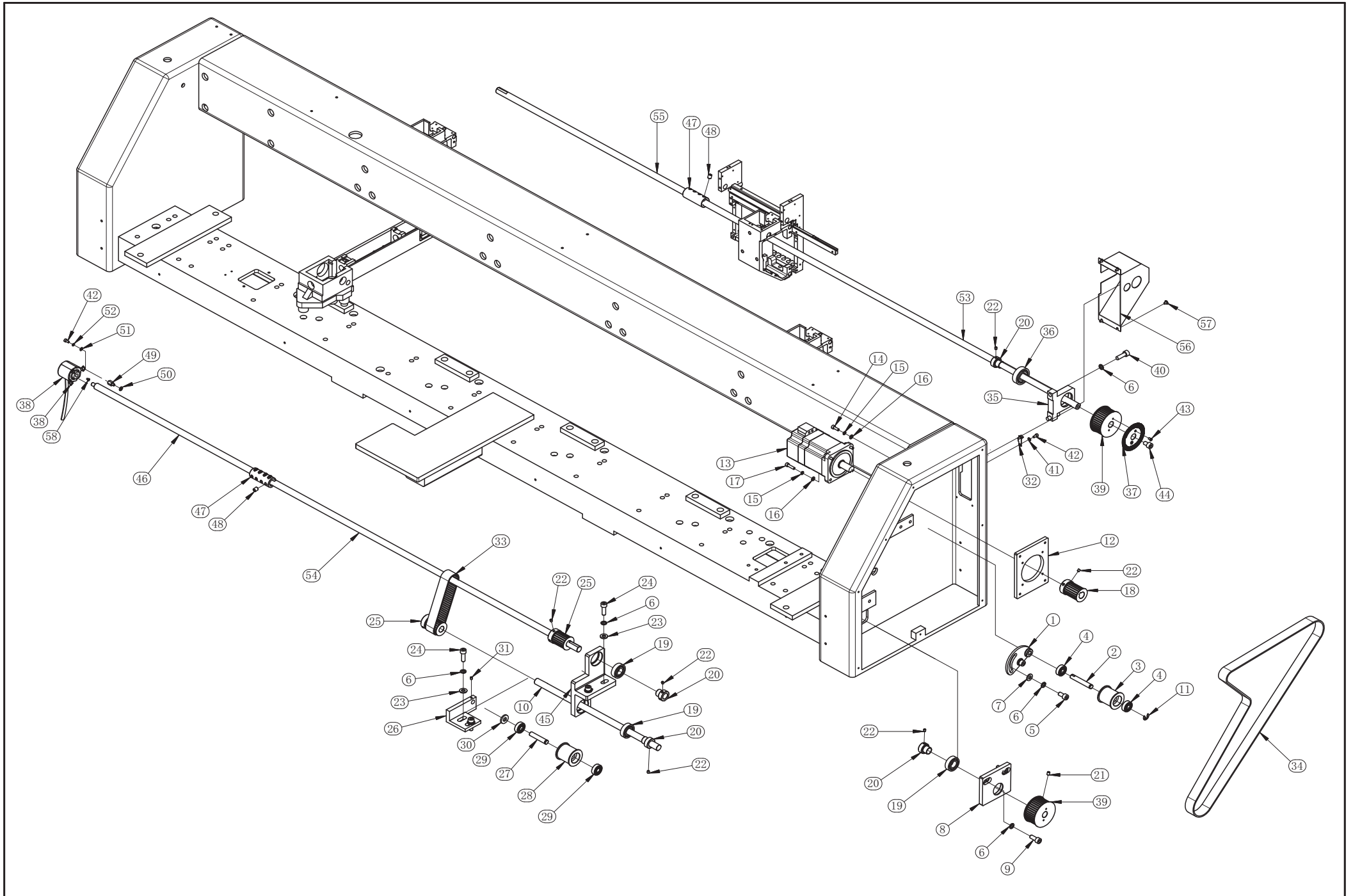


Main Drive System - 1

No	Part Number	Description
1	02313103	Tensioner Wheel Seat
2	02313113	Tension Shaft-63
3	02313110	Tension Pulley W36
4	80031022	Bearing 629-Z
5	80810816	Hex Socket Head Screw M8x16
6	80900813	Spring Washer M8
7	80900803	Washer M8
8	02312113	Low Axis Bearing Seat
9	80810820	Hex Socket Head Screw M8x20
10	02312101	Low Axis Z-390
11	80031071	E-Type Outside Clamp Spring
12	21810231	Principal Axis Motor Plate-80
13	80310852	750W Servo Motor -80
14	80813514	Hex Socket Head Screw M5x14
15	80900518	Spring Washer M5
16	80900508	Washer M5
17	80813520	Hex Socket Head Screw M5x20
18	80025224	Belt Wheel 20-5M-40-16
19	80031722	Bearing 35-17-10
20	80031502	Bearing housing 17
21	80880608	Set Screw M6x8
22	80880506	Set Screw M5x6
23	80900808	Washer M8
24	80010825	Hex Socket Head Screw M8x25

No	Part Number	Description
25	80025223	Belt Wheel 20-5M-36-15
26	02312120	Tension Base
27	02313114	Tensioner Wheel Axis -51
28	02313110	Tension Pulley W36
29	80031022	Bearing 629-Z
30	02312121	Upper Axis Tensioner Wheel
31	80880506	Cap Set Screw M5x6
32	02311102	Dial Needle
33	80025112	Timing Belt 350-5M-25
34	80025121	Timing Belt 1350-5M-25
35	02311111	42 Bearing -H45
36	80032022	Bearing 42-20-12
37	80050101	70 Dial
38	80330101	Encoder
39	80025233	Belt Wheel 40-5M
40	80810825	Hex Socket Head Screw M8x25
41	80900402	Washer M4
42	80813408	Hex Socket Head Screw M4x8
43	80744406	T-Head Screw M4x6
44	80813812	Hex Socket Head Screw M8x12
45	02312110	Lower Axis Transition
46	02312102	Encoder Shaft-552
47	80031511	15 Coupling Sleeve
48	80880808	Hex Socket Head Screw M8x8

Main Drive System - 2

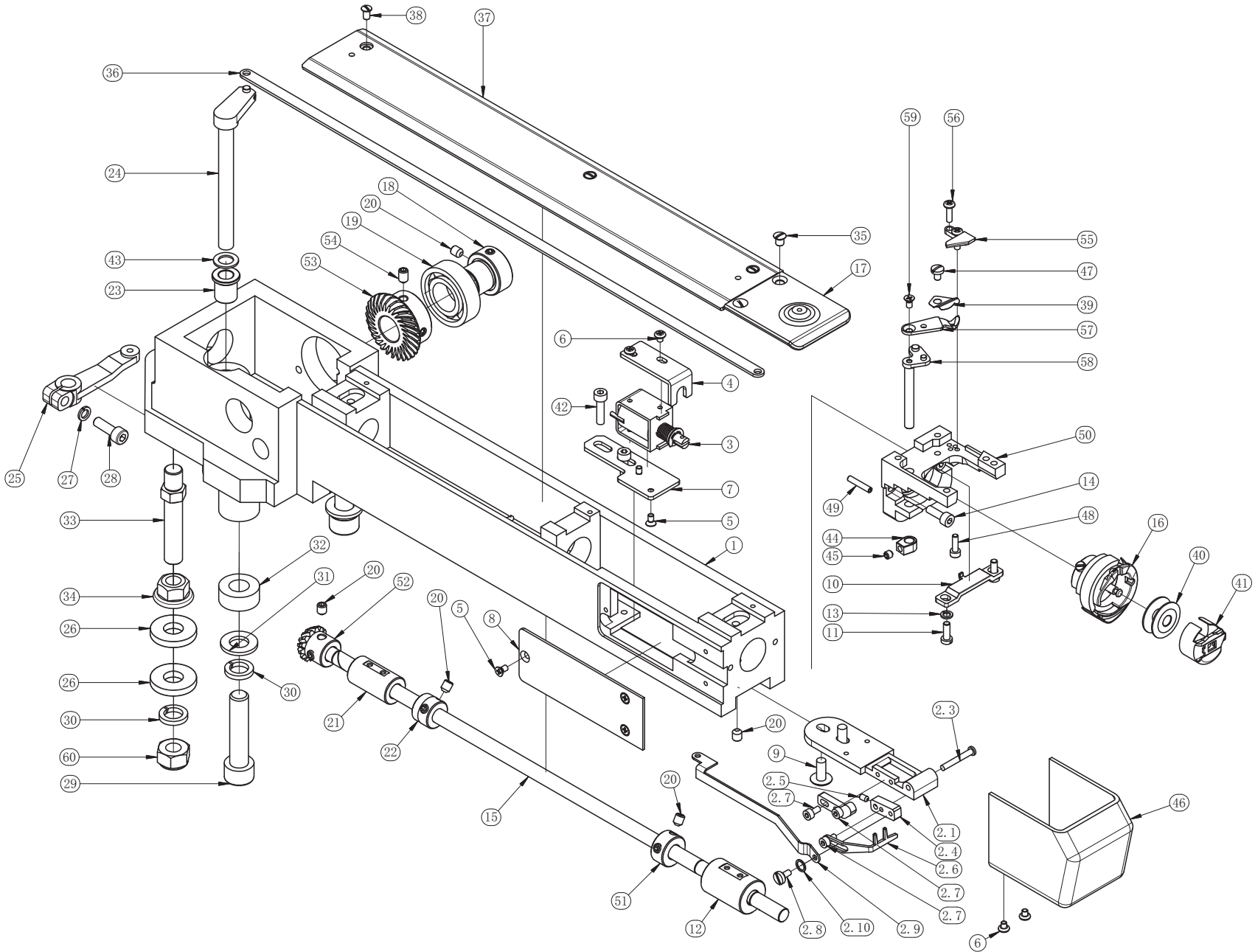


Main Drive System - 2

No	Part Number	Description
49	80922001	Hexagonal Prism -10-M5x6-Hole
50	80900501	Washer M5
51	80900401	Washer M4
52	80900418	Spring Washer M4
53	02311104	Main Shaft L1220
54	02311008	Axis Φ 15X1000mm
55	02311005	Axis Φ 15X630 mm
56	02702103	Upper Axis Bearing Housing
57	80746406	Philip's Head Screw M4x6
58	80740304	Philip's Head Screw M3x4
59		
60		
61		
62		
63		
64		
65		
66		
67		
68		
69		
70		
71		
72		

No	Part Number	Description
73		
74		
75		
76		
77		
78		
79		
80		
81		
82		
83		
84		
85		
86		
87		
88		
89		
90		
91		
92		
93		
94		
95		
96		

Rotary Hook Base - 1

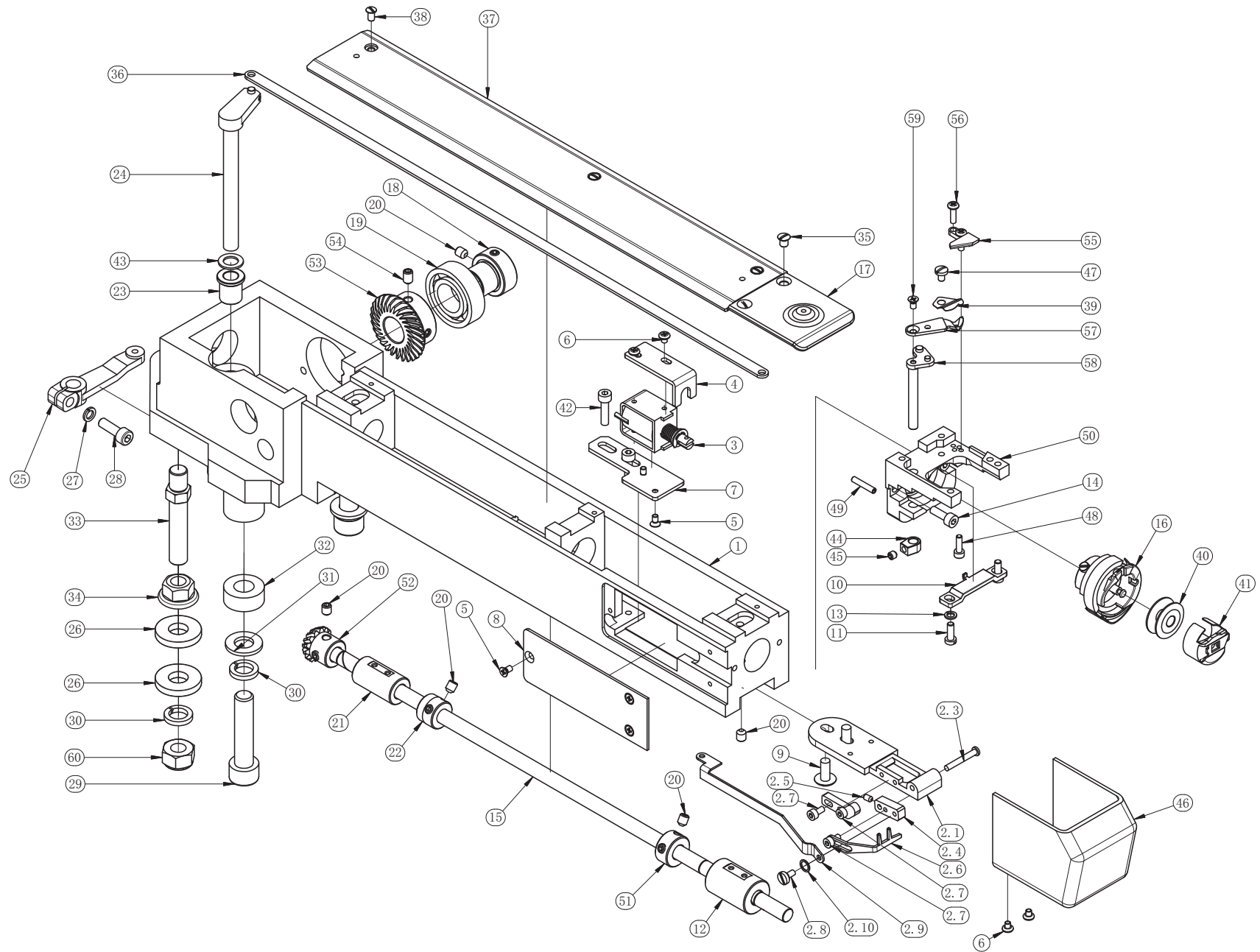


Rotary Hook Base - 1

No	Part Number	Description
1	02010601	Small Rotary Hook Base
2	02010662	Lacing Thread Module
2.1	02010620	Picker Bracket
2.2	02010642	Small Stop Dog
2.3	02010630	Lacing Thread Spindle
2.4	02010640	Lacing Thread Axis Locating Block
2.5	80880306	Set Screw M3x6
2.6	03021504	Picker
2.7	80763306	Hex.Socket Cap Screw M3x6
2.8	02010625	Specific Screw
2.9	02010623	Picker Bar
2.10	80900501	Washer M5
3	80320203	Lacing Thread Electromagnet
4	03021512	Electromagnet Limit Plate
5	80860304	Countersunk Head Screws M3x4
6	80744303	T-Head Semi-circle Screw M3x3
7	02010622	Hook Line Electromagnet Base
8	02010621	Hook Line Side Cover Plate
9	80746512	Button Head Screw M5x12
10	02101321	Rotating Shuttle Locating Hook
11	80410910	Flat Head Slotted Screw 9/64"-40
12	02101131	Lower Axis Front Shaft Sleeve
13	80900411	Spring Washer M4
14	80010412	Hex.Socket Cap Screw M4x12

No	Part Number	Description
15	02101111	Rotating Shuttle Axis-CT
16	80620291	Rotating Shuttle
17	02101312	Needle Plate With Convex -35
18	80031501	Bearing Housing17
19	80031722	Deep Groove Ball Bearing 35-17-10
20	80880506	Set Screw M5x6
21	02010632	Shuttle Box Rear Shaft Sleeve
22	02010641	Rear Checking Ring
23	80030803	End Face Shaft Sleeve 12
24	02101281	Wire Cut Drive Rod
25	03021211	Wire Cut Rotary Connecting Rod
26	80901051	Flat Washer M10x4
27	80900513	Spring Washer M5
28	80010516	Hex.Socket Cap Screw M5x16
29	80011045	Hex.Socket Cap Screw M10x45
30	80901013	Spring Washer M10
31	80901001	Washer M10
32	02101152	Shuttle Box Washer
33	80920402	Shuttle Box Installation Bolt M10x60
34	80901031	Hex Locking Flange Nut
35	80924131	Countersink Slotted Screw 11/64"-6
36	02101237	Thread Cut Draw Rod
37	02010612	Front Upper Cover Plate
38	80924123	Counter Slotted Crew 9/64"-7

Rotary Hook Base - 2

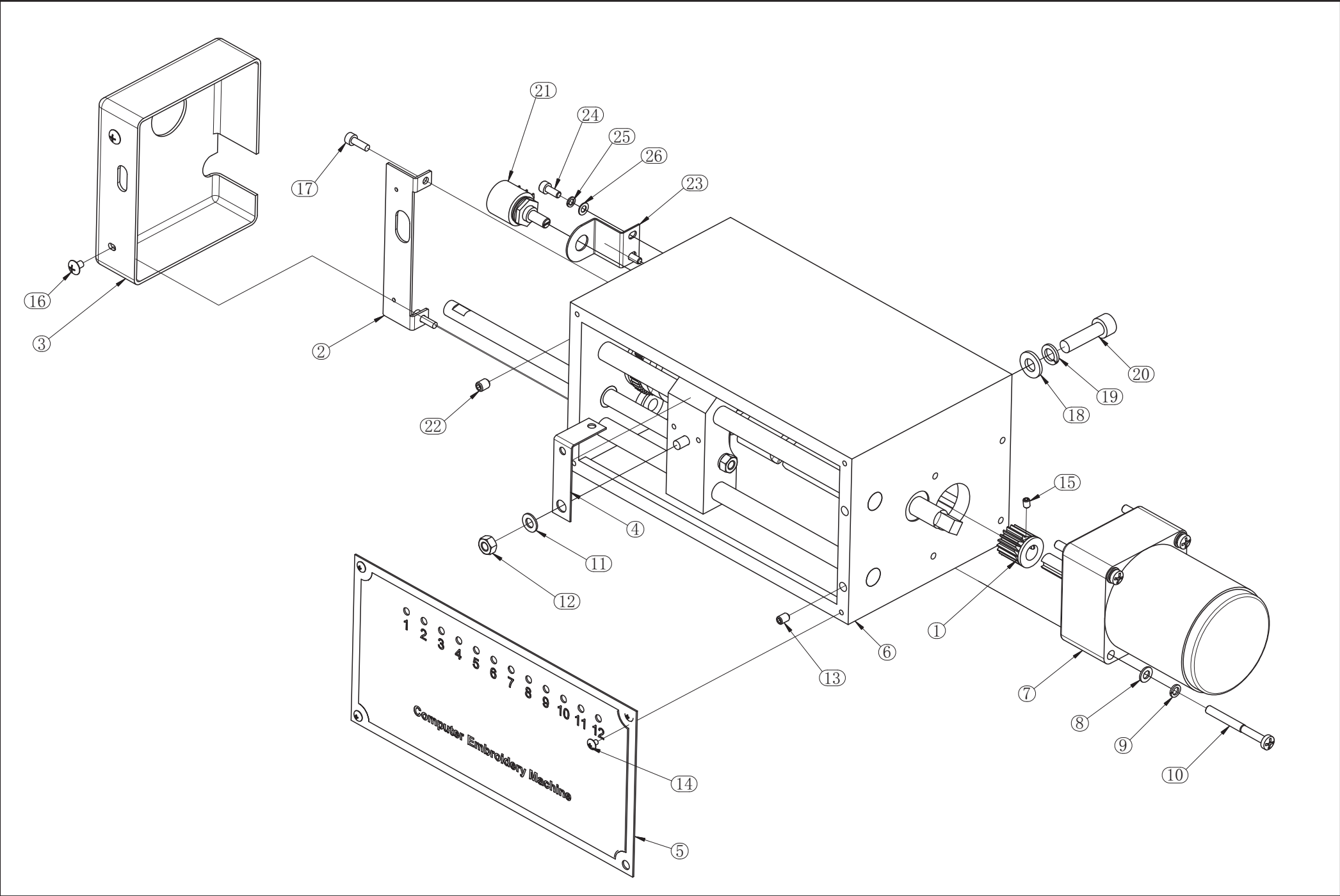


Rotary Hook Base - 2

No	Part Number	Description
39	02101233	Fixed Knife Shrapnel
40	80620302	Rotary Hook Peg
41	80620301	Rotary Hook Case
42	80763416	Hex Socket Cap Screw M4x16
43	80900805	Washer M8
44	03021232	Movable Blade Driving Rod Chuck
45	80880404	Set Screw M4x4
46	02010631	Rotating Shuttle Housing
47	80924150	Button Slotted Screw 9/64"-5
48	80010310	Hex Socket Cap Screw M3x10
49	80685135	Elastic Cylindrical Pin Φ 3X16
50	02010605	Needle Plate Seat
51	02101121	Rotating Axis Checking Ring
52	01030132	Rotating Shuttle Axis Gear
53	01030131	Lower Axis Gear
54	80880508	Set Screw M5x8
55	02101232	Fixed Knife
56	80744310	T-Head Semi-circle Screw M3x10
57	02101231	Movable Knife
58	03021242	Movable Knife Driving Rod
59	80860324	Countersink hilip's Screw
60	80901032	Nut M10
61		
62		

No	Part Number	Description
63		
64		
65		
66		
67		
68		
69		
70		
71		
72		
73		
74		
75		
76		
77		
78		
79		
80		
81		
82		
83		
84		
85		
86		

Color-change System

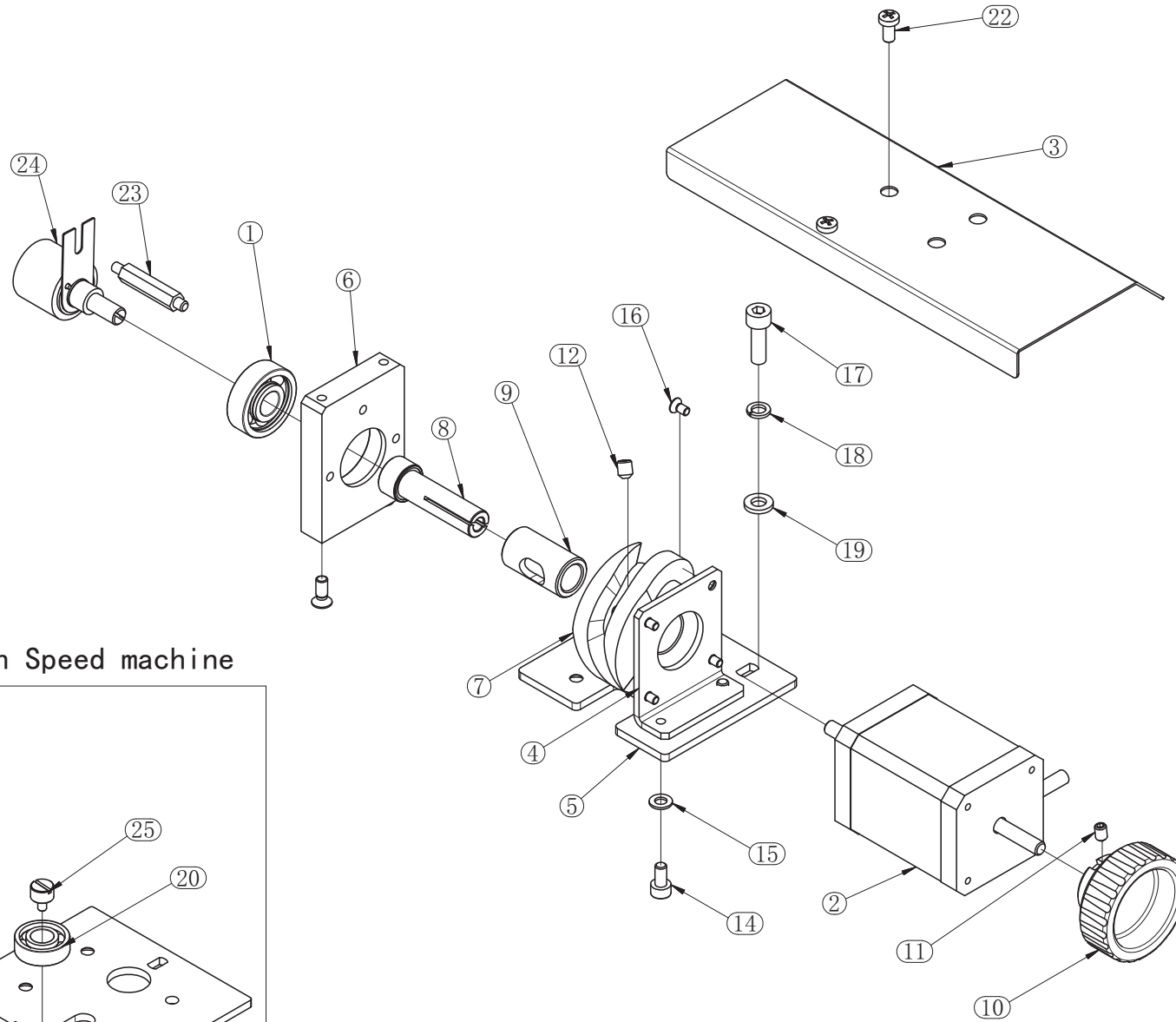


Color-change System

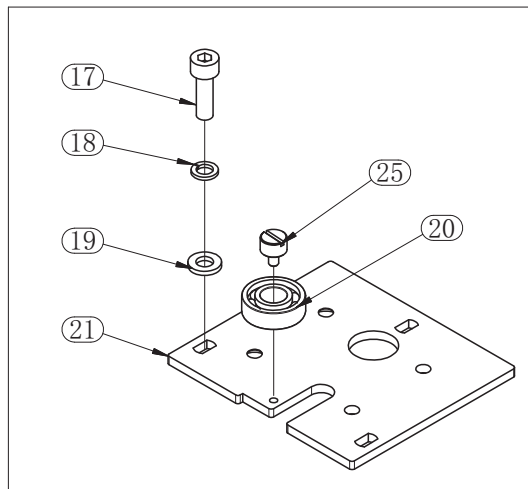
No	Part Number	Description
1	01290902	Motor Driving Gear-18
2	01290903	Box Support
3	01290904	Cover Plate
4	01290912	Color Change Indicator Bracket
5	01291271	Color-Change Box Plate 12
6	01291292	Color-Change Box
7	80320101	Color-change Motor YN70-15
8	80900503	Washer M5
9	80900513	Spring Washer M5
10	80740535	Phillips Head Screws M5x50
11	80150601	Plain washer M6
12	80900621	Nut M6
13	80170508	Hex Socket Head Screw M5x8
14	80746304	Phillips Head Screws M3x4
15	80880406	Hex Socket Head Screw M4x6
16	80746406	Phillips Head Screws M4x6
17	80010412	Socket Head Head Screws M4x12
18	80900803	Washer M8
19	80900813	Ppring washer M8
20	80810830	Hex Head Screw M8x30
21	80333710	Multi-turn potentiometer
22	80880608	Set Screws M6x8
23	01291210	Potentiometer Mounting Plate
24	80040410	Hex Socket Head Screw M4x10

No	Part Number	Description
25	80900411	Spring Washer M4
26	80900401	Washer M4
27		
28		
29		
30		
31		
32		
33		
34		
35		
36		
37		
38		
39		
40		
41		
42		
43		
44		
45		
46		
47		
48		

Color-change System - 2 Heads



Used in High Speed machine

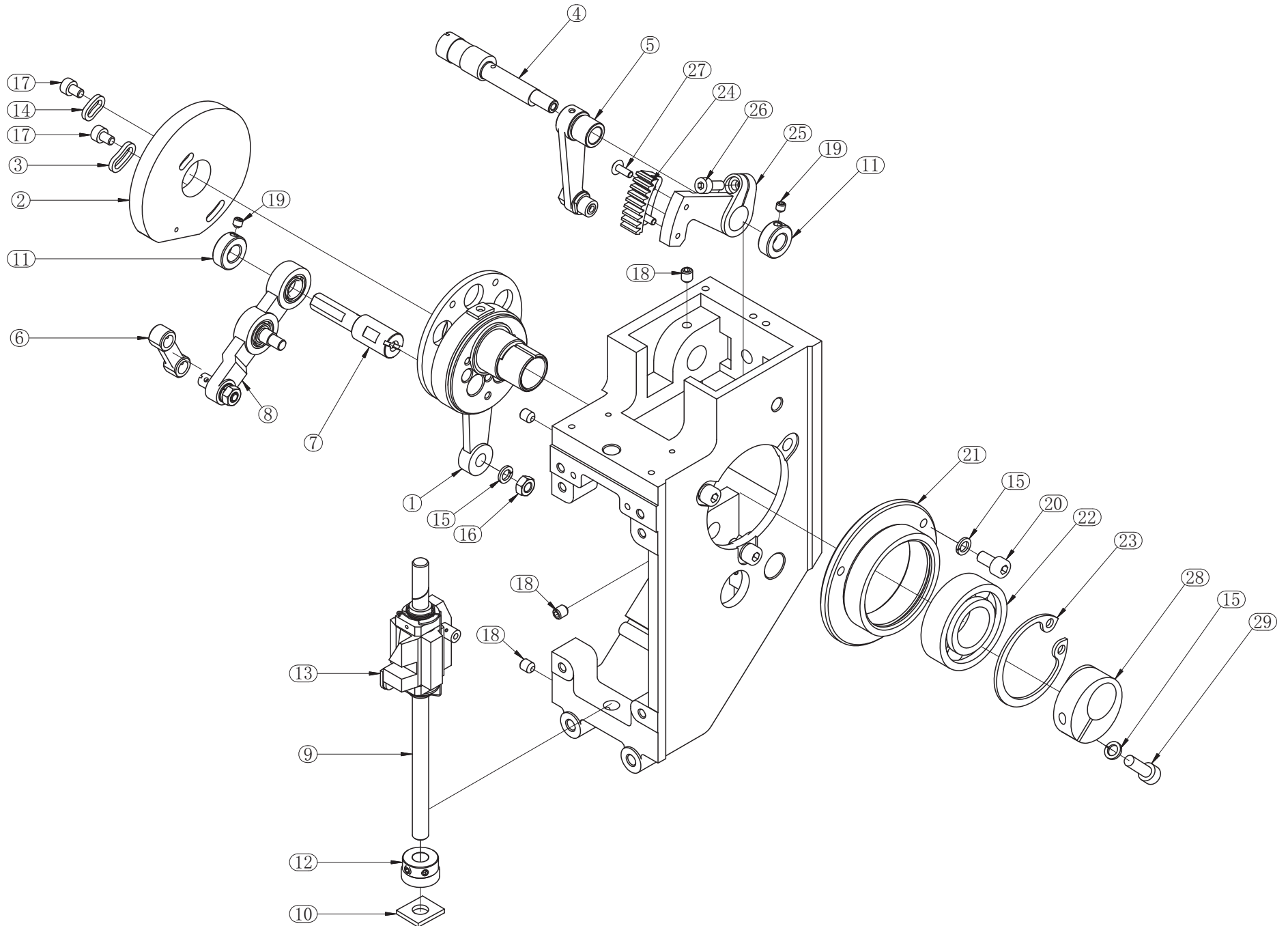


Color-change System - 2 Heads

No	Part Number	Description
1	80031022	Bearing 629-Z
2	80314222	Stepping Motor 42
3	01293448	Color Changing Upper Cover Plate
4	03040546	Color Changing Motor Bracket
5	01293905	Bracket Base
6	01293910	Color Changing Bearing Pedestal
7	01293402	42 Color Changing Cam -15 holes
8	01293912	Color Changing Cam shaft
9	01293913	Color Changing Camshaft Sleeve
10	03040511	Color Changing Handle
11	80880406	Hexagon socket set screws M4x6
12	80880506	Hexagon socket set screws M5x6
13	80060410	Countersink Head Screw M4x10
14	80810408	Hexagon socket screws M4x8
15	80900403	Washer M4
16	80860306	Countersink Head Screw M3x6
17	80810516	Hexagon socket screws M5x16
18	80900513	Spring Washer M5
19	80900502	Washer M5
20	80030822	Bearing 19-8-6
21	01211005	Handpiece Cover Plate-LH
22	80030408	Button Head Philip's Head Screw
23	03040509	Potentiometer Set Bolt
24	03140563	Potentiometer+ Support Plate

No	Part Number	Description
25	01293275	Color Changing Bearing Pin
26		
27		
28		
29		
30		
31		
32		
33		
34		
35		
36		
37		
38		
39		
40		
41		
42		
43		
44		
45		
46		
47		
48		

Ordinary Arm - A

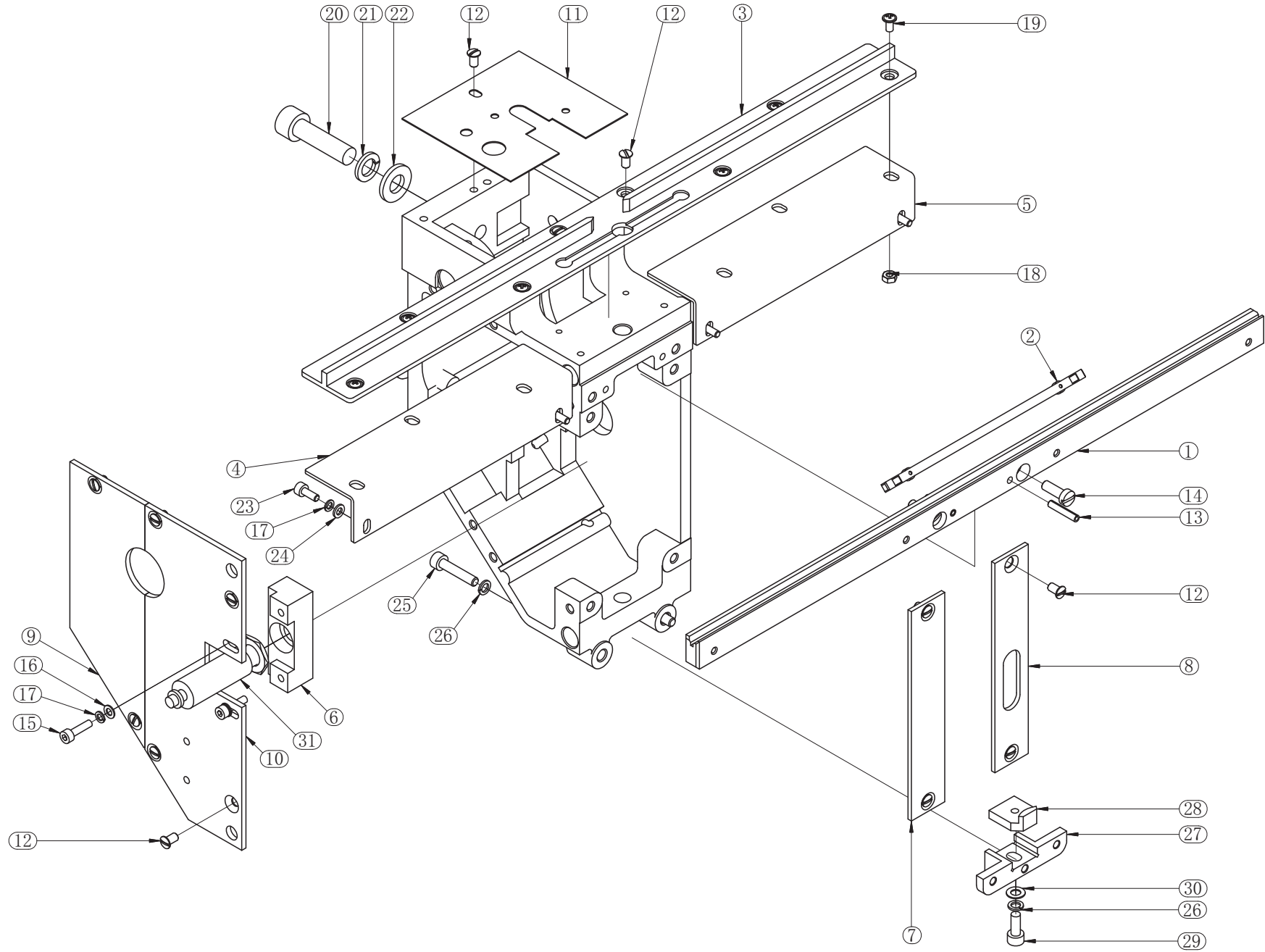


Ordinary Arm - A

No	Part Number	Description
1	01201191	Needle Bar Driving Cam
2	01201301	M3 Nylon Cam
3	01201302	Cam Washer A
4	01201308	Eccentric Pin
5	01201391	Take-up Lever A
6	01202131	Arm Driving Shaft
7	01202144	No.3 Pin
8	01202191	Connecting Rod
9	01202201	Arm Driving Shaft
10	01202203	Linoleum
11	01202204	Baffle
12	01202291	Shaft Sleeve
13	01203190	Driver - Nylon
14	01201303	Com Washer B
15	80900513	Spring Washer M5
16	80900523	Nut M5
17	80760406	Hex Socket Head Screw M4x6
18	80880506	Hex Socket Head Screw M5x6
19	80880404	Hex Socket Head Screw M4x4
20	80810510	Hexagon Screw M5x10
21	01201101	Bearing Sleeve
22	80032022	Bearing 42-20-12
23	80034281	Circlip 42
24	01201307	Semi-gear

No	Part Number	Description
25	01201305	Take-up Lever B
26	80810410	Hexagon Screw M4x10
27	80742308	Cross-screw Flange M3x8
28	01201105	Cam Clamping Sleeves
29	80810516	Hexagon Screw M5x16
30		
31		
32		
33		
34		
35		
36		
37		
38		
39		
40		
41		
42		
43		
44		
45		
46		
47		
48		

Ordinary Arm - B



Ordinary Arm - B

No	Part Number	Description
1	01200902	Needle Bar Guide Rail For 12N
1	01200915	Needle Bar Guide Rail For 15N
2	01200904	Needle Bar Slide Set For 12N
3	01200911	Take-up Guide Plate For 12N
3	01200922	Take-up Guide Plate For 15N
4	01200912	Guide Rail Holder Left
5	01200913	Guide Rail Holder Right
6	01202501	Solenoid Bracket
7	01204101	Left Guide Plate
8	01204102	Right Guide Plate
9	01204201	Chassis Back Plate
10	01204202	Chassis Front Plate
11	01204231	Arm Upper Cover
12	80924123	Screw 9/64x7
13	80685135	Spring Spin Φ 3x16
14	80924114	Screw 11/64x12
15	80813312	Hexagon Screw M3x12
16	80900301	Washer M3
17	80900313	Spring Washer M3
18	80900321	Nut M3
19	80742306	Cross-screw Flange M3x6
20	80810830	Hex Socket Head Screw M8x30
21	80900813	Spring Washer M8
22	80900801	Washer M8

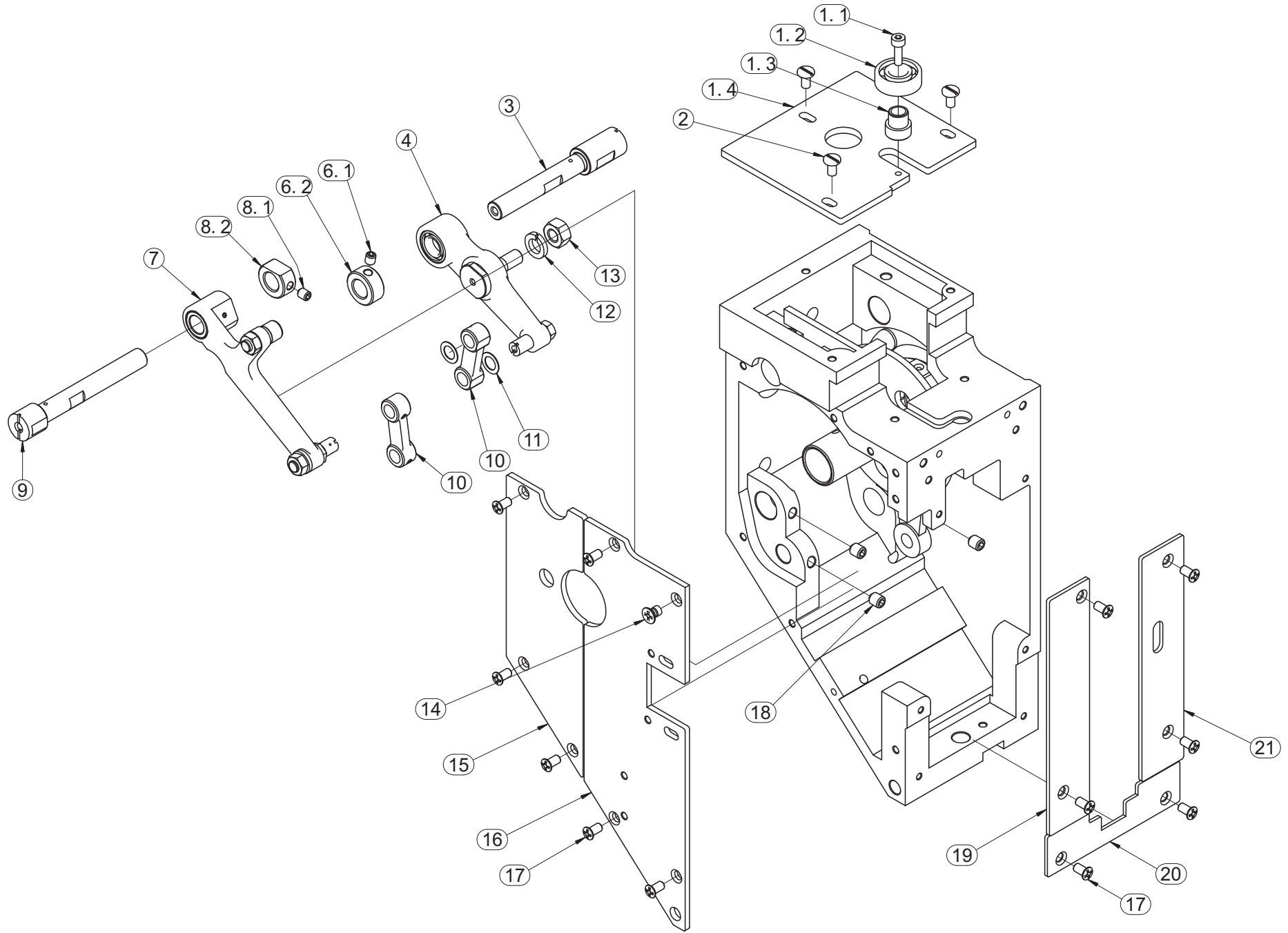
No	Part Number	Description
23	80810308	Hex Socket Head Screw M3x8
24	80900303	Washer M3
25	80810420	Hex Socket Head Screw M4x20
26	80900413	Spring Washer M4
27	01203501	Positioning Block
28	01203502	Positioning Hook
29	80810410	Hex Socket Head Screw M4x10
30	80900401	Washer M4
31	01202591	Electromagnet
32		
33		
34		
35		
36		
37		
38		
39		
40		
41		
42		
43		
44		
45		
46		

High Speed Arm - A

No	Part Number	Description
1	01212460	Main Shaft Set
2	80880406	Set Screws M4X6
3	80810408	Hex Socket Cap Screw M4X8
4	80900519	Washer M12
5	01212361	Fastener
6	01212301	One Hole Baffle M15xM8
7	80880405	Set Screws M4X5
8	01212307	Pin Shaft
9	01212163	Take-up Lever Set
10	01212165	Take-up Lever Set 4
11	80810510	Hex Socket Cap Screw M5X10
12	80900513	Spring Washer M5
13	80900508	Washer M5
14	80810414	Hex socket cap screw M4X14
15	80900413	Spring Washer M4
16	80810412	Hex socket cap screw M4X12
17	01212402	Nylon Cam
18	01212404	Nylon Cam M18 M3
19	80810416	Hex Socket Cap Screw M4X16
20	01212408	Bearing Case
21	01201302	Cam Washer A
22	01201303	Cam Washer B
23	80032022	Bearing 42-20-12
24	80810312	Hex Socket Cap Screw M3X12

No	Part Number	Description
25	80034281	Inner E-spring 42
26	01212401	Fastening Cam Collar
27	01212403	Bearing Collar
28		
29		
30		
31		
32		
33		
34		
35		
36		
37		
38		
39		
40		
41		
42		
43		
44		
45		
46		
47		
48		

High Speed Arm - B

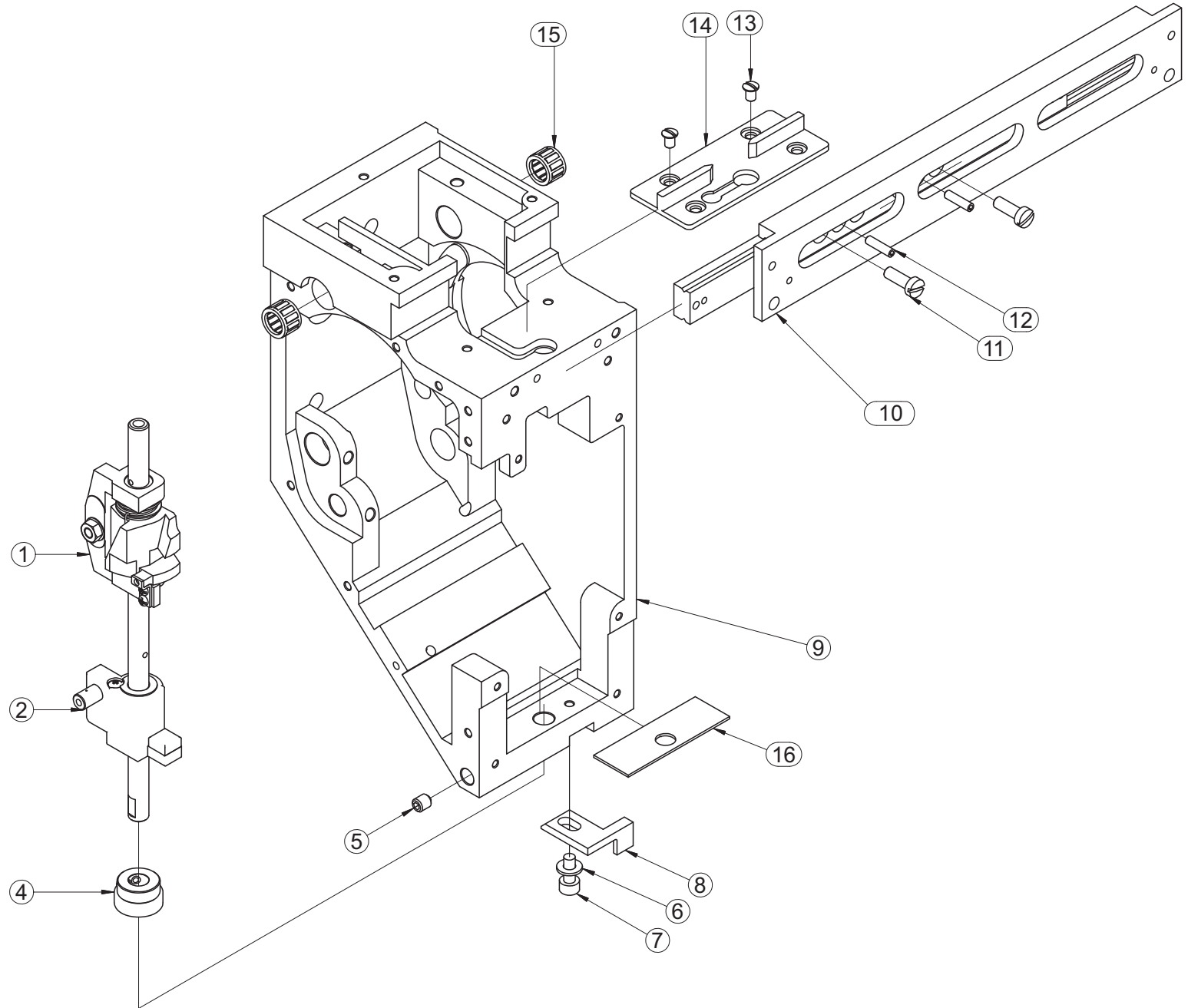


High Speed Arm - B

No	Part Number	Description
1	01211060	High Speed Arm Top Cover Set
1.1	80810310	Hex Socket Cap Screw M3x10
1.2	80030822	Bearing 19-8-6
1.3	01211012	Inner Hole Bearing Collar M4XM6
1.4	01211006	Arm Top Cover
2	80924106	Plain Head Screw 9/64"x5.5
3	01212303	Pin 70X8
4	01212164	Lever Set3
6	01212361	Fastener
6.1	80880405	Inner Hexagon Fastener M4X5
6.2	01212301	One Hole Baffle M15xM8
7	01212162	Lever Set2
8	01212362	Half Baffle Fastener
8.1	80880405	Set screws M4X5
8.2	01212308	Half Hole Baffle M8xM15
9	01212302	Pin 70X8mm
10	01212109	Small Connecting Rod
11	80900619	Cushion M6X0.3
12	80900611	Cushion M6.6XM11X2
13	80150623	Nut M6
14	80060406	Philip's Head Screw M4X6
15	01211009	High Speed Cover 6
16	01211010	High Speed Cover 4
17	80924124	Philip's Head Screw M3.5X8

No	Part Number	Description
18	80880506	Set Screws M5X6
19	01211008	High speed Arm Cover2
20	01211011	High speed Arm Cover5
21	01211007	High speed Arm Cover1
22		
23		
24		
25		
26		
27		
28		
29		
30		
31		
32		
33		
34		
35		
36		
37		
38		
39		
40		
41		

High Speed Arm - C

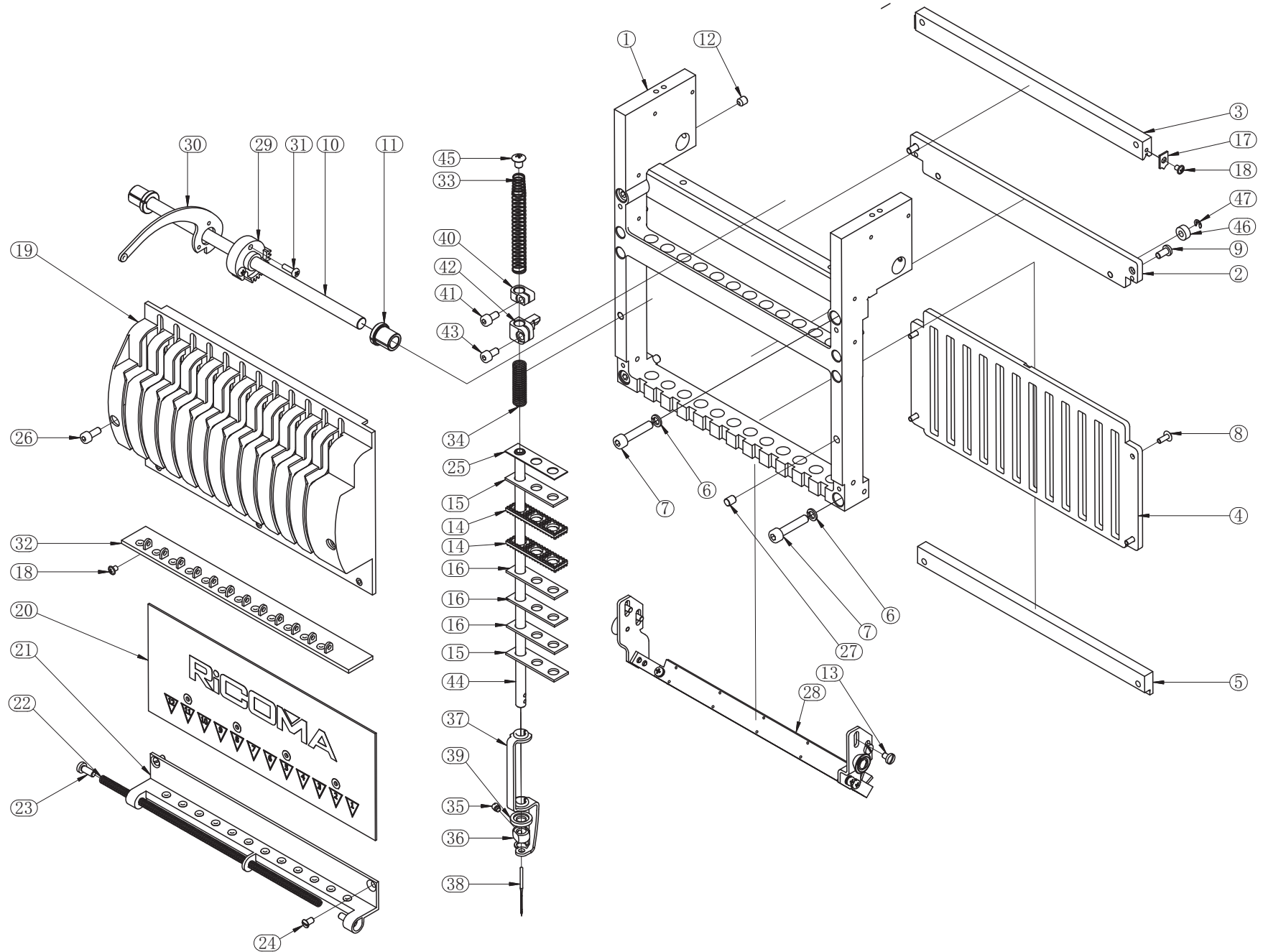


High Speed Arm - C

No	Part Number	Description
1	01212060	Needle Bar Driver
2	01212260	Press Foot Driver
3	01212306	Needle Bar
4	01212360	Actuating Shaft Collar Set
5	80880506	Set Screws M5X6
6	80900409	Washer M4
7	80810410	Hex Socket Cap Screw M4X10
8	03040121	Needle Case Positioning Hook
9	01210113	Arm
10	80013111	Pulley Including Rail
10.1	80013111B	Arm Slide-bar
10.2	80013111A	Arm Guide Rail
11	80924114	Plain Screw 11/64" x 12
12	80815132	Spring Pin Φ 3x12
13	80924121	Sunk Screw Nickelage 9/64"x 6
14	01200921	Take-up Lever Guide Rail - 12N
15	80030831	Needle Bearing
16	01212309	Fiber Cushion
17		
18		
19		
20		
21		
22		

No	Part Number	Description
23		
24		
25		
26		
27		
28		
29		
30		
31		
32		
33		
34		
35		
36		
37		
38		
39		
40		
41		
42		
43		
44		
45		
46		

Ordinary Needle Bar Case - 1

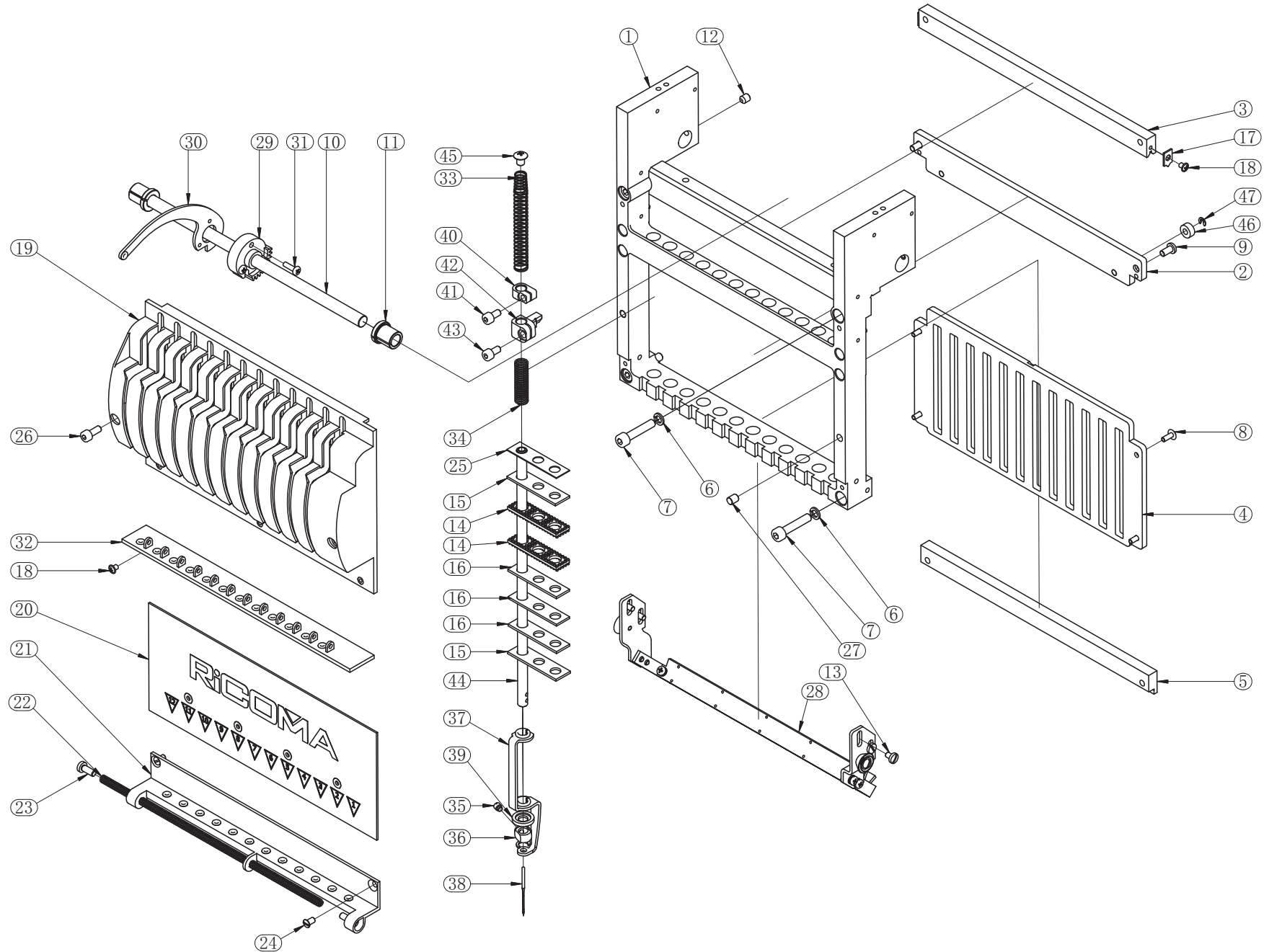


Ordinary Needle Bar Case - 1

No	Part Number	Description
1	01221112	Ordinary Needle Bar Frame -12N
1	01221115	Ordinary Needle Bar Frame -15N
2	01221293	Roller Shaft-12N
2	01221280	Roller Shaft-15N
3	01223502	Upper Guide Rail-12N
3	01223504	Upper Guide Rail-15N
4	80210621	Needle Bar Guide Rail-12N
4	80210623	Needle Bar Guide Rail-15N
5	01223512	Lower Guide Rail-12N
5	01223515	Lower Guide Rail-15N
6	80900513	Spring Washer M5
7	80810525	Hex Socket Head Screw M5x25
8	80742308	Flange Type Head Screw M3x8
9	80744408	T-Head Cup Head Screw M4x8
10	01221532	Take-up Lever Axis-12N
10	01221533	Take-up Lever Axis-15N
11	01221521	Jump Wire Bar Shaft Sleeve-Right
12	80880506	Hex Socket Set Screw M5x6
13	80924150	Slotted Screw 9/64"x5
14	01221605	3-Hole Pit Rubber Washer
15	01221606	3-Hole Felt Washer
16	01221604	3-Hole Cowhell Washer-2
17	01223531	Slide Roller Stopper
18	80742304	Flange-Type Screw M3x4

No	Part Number	Description
19	80210221	Upper Arc-shape Plate-12N
19	80210225	Upper Arc-shape Plate-15N
20	01221332	Lower Plate-12N
20	01221334	Lower Plate-15N
21	80210803	Lower Thread Guiding -12N
21	80210815	Lower Thread Guiding -15N
22	80210801	Lower Thread Guiding Spring-12N
22	80210816	Lower Thread Guiding Spring-15N
23	80740410	Button Head Screw M4x10
24	80924123	Countersink Slotted Screw 9/64"x7
25	01221601	3-Holes Cowhell Washer-0.5
26	80813410	Hex Socket Head Screw M4x10
27	01227102	Lower Plate Magnet
28	01226192	Face Thread Clamp -12N
28	01226115	Face Thread Clamp -15N
29	03081501	Take-up Lever Plastic Block
30	80744310	T-type Semi-circle Screw M3x10
31	3081504	Take-up Lever
32	80210721	Middle Thread Guiding -12N
32	80210722	Middle Thread Guiding -15N
33	01222103	Normal Needle Bar Spring
34	01222108	Normal Pressor Foot Spring
35	01222183	Needle Clamp Screw
36	01222184	Normal Needle Clamp

Ordinary Needle Bar Case - 2

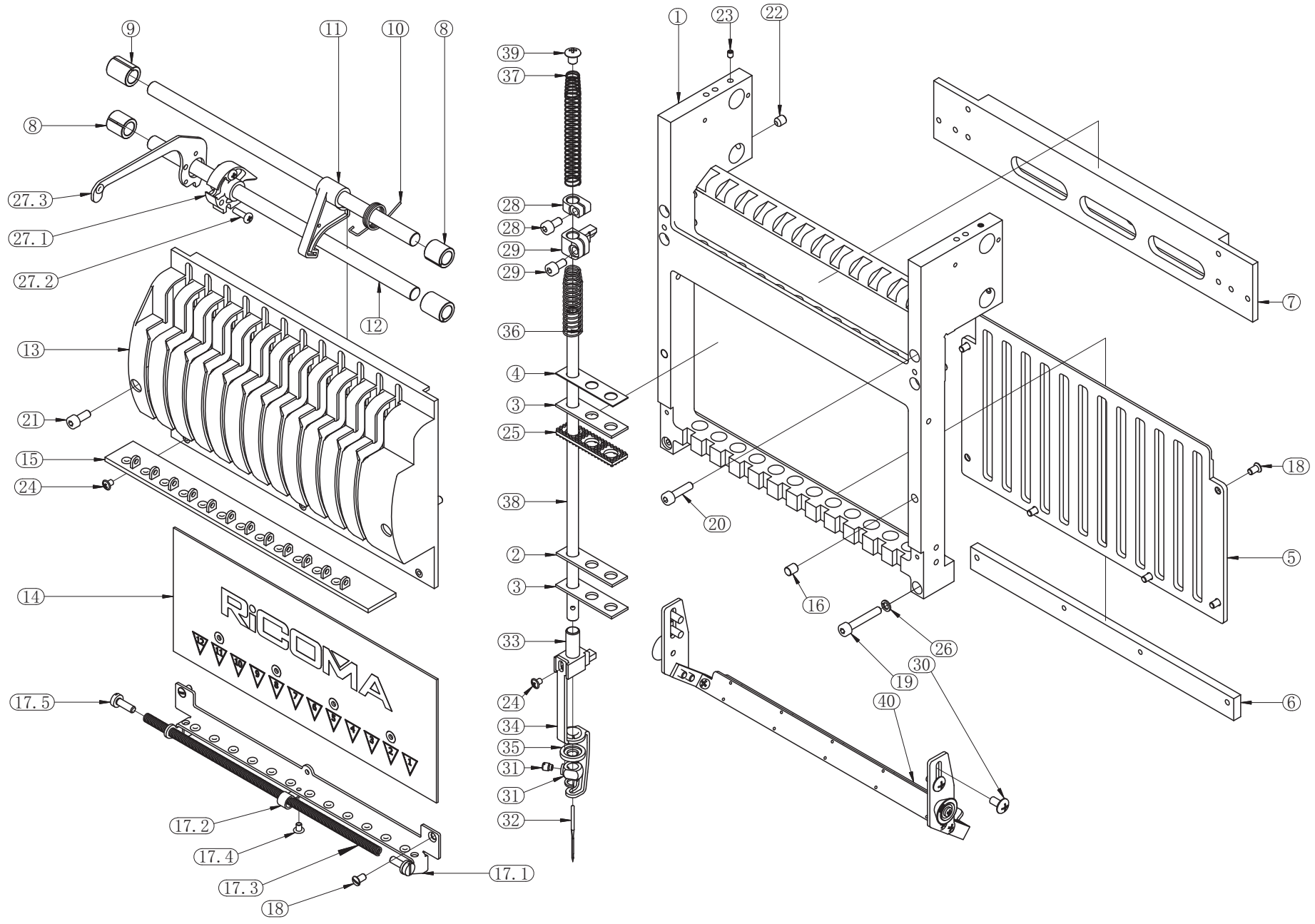


Ordinary Needle Bar Case - 2

No	Part Number	Description
37	01222195	Presser Foot With Ring
38	80621101	Frame Needle
39	01222104	Needle Bar Washer
40	01222105	Top Stop Clamp
41	80810408	Hex Socket Head Screw M4x8
42	01222106	Needle Bar Connecting Pin
43	80810408	Hex Socket Head Screw M4x8
44	01222101	Needle Bar
45	01222102	Needle Bar Screw
46	80030421	Bearing 9-4-4
47	80030671	E Outer Clamp Spring
48		
49		
50		
51		
52		
53		
54		
55		
56		
57		
58		
59		
60		

No	Part Number	Description
61		
62		
63		
64		
65		
66		
67		
68		
69		
70		
71		
72		
73		
74		
75		
76		
77		
78		
79		
80		
81		
82		
83		
84		

High Speed Needle Bar Case - 1

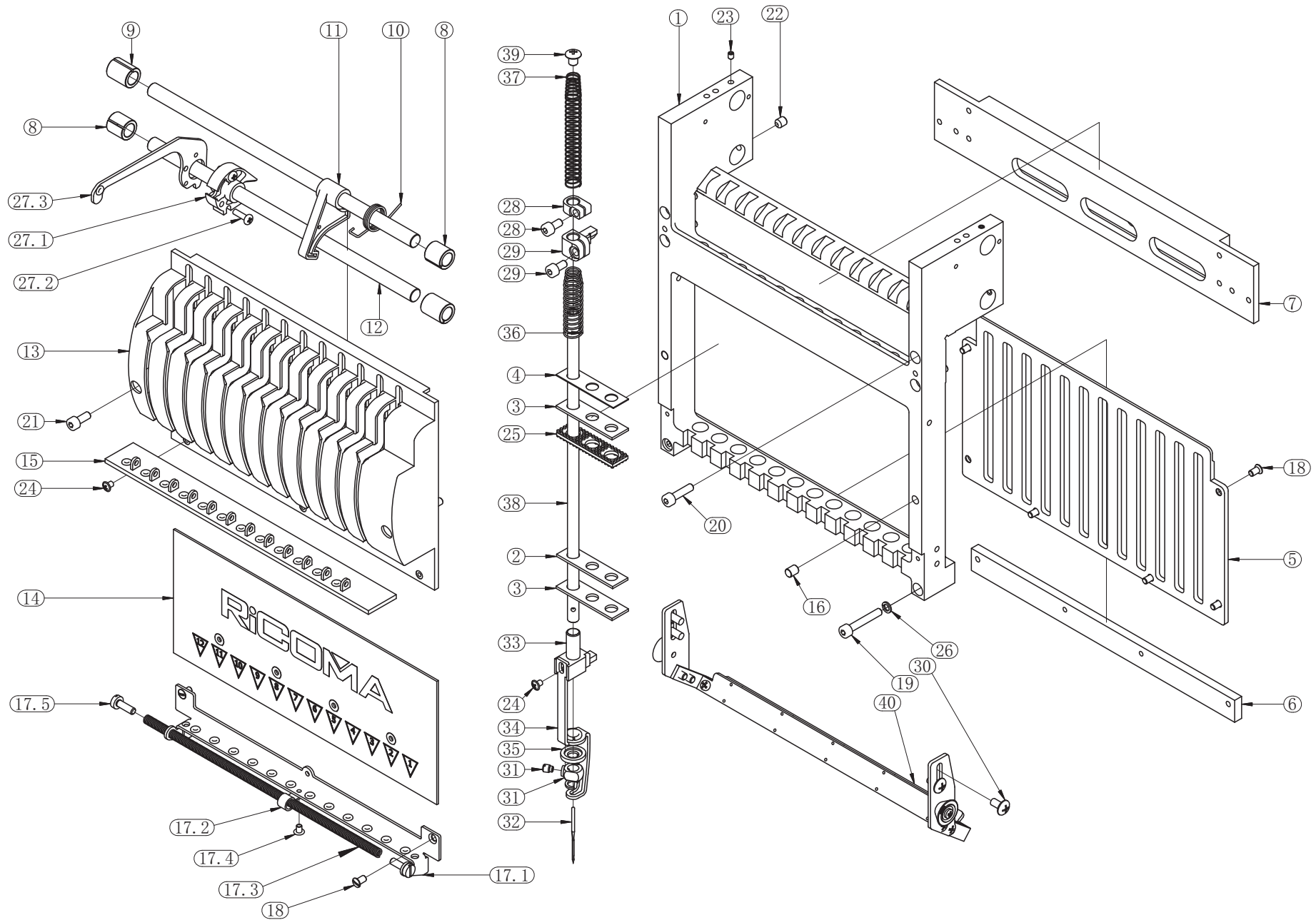


High Speed Needle Bar Case - 1

No	Part Number	Description
1	01213103	High Speed Needle Bar Case-12N
1	01213118	High Speed Needle Bar Case-15N
2	01221604	3-Hole Cowhell Washer-2
3	01221606	3-Hole Felt Washer
4	01221601	3-Hole Cowhell Washer-0.5
5	03081301	Needle Bar Guide Plate -12N
5	03081318	Needle Bar Guide Plate -15N
6	01213115	Guide Rail-12N
6	01213119	Guide Rail-15N
7	01210151	Head Rail Assistant -12N
7	01210155	Head Rail Assistant -15N
8	03081506	Take-up Axis Stop Dog
9	03081505	Take-up Axis Stop Dog
10	03081503	Locating Block Torsional Spring
11	03081502	Take-up Lever Locating Block
12	03081523	Take-up Lever Axis-12N
12	03081510	Take-up Lever Axis-15N
13	80210221	Upperer Plate-Arc Shape-12N
13	80210225	Upperer Plate-Arc Shape-15N
14	01221332	Front Lower Plate-12N
15	80210781	Middle Thread Guiding -12N
16	01227102	Lower Plate Magnet
17	03082509	Lower Thread Guiding Unit
17.1	03082501	Lower Thread Guiding-12N

No	Part Number	Description
17.1	03082534	Lower Thread Guiding-15N
17.2	03082503	Wire-Clamping Spring Bracket
17.3	03082502	Lower Thread Guiding Spring-12N
17.3	03082535	Lower Thread Guiding Spring-15N
17.4	80742304	Flange Type Philip's Screw M3x4
17.5	80730438	Flat Head Slotted Screw M4x8
18	80924123	Countersink Slotted Screw 9/64"x7
19	80010425	Hex Socket Head Screw M4x25
20	80010416	Hex Socket Head Screw M4x16
21	80813410	Hex Socket Head Screw M4x10
22	80880506	Set Screws M5x6
23	80710304	Set Screws M3x4
24	80742304	Flange Type Philip's Screw M3x4
25	01221605	3-Hole Pit Rubber Washer
26	80900413	Spring Washer M4
27	03081591	Take-up Lever Unit
27.1	03081501	Take-up Lever Plastic Block
27.2	80744310	T Head Philip's Screw
27.3	03081504	High Speed Machine Take-up Lever
28	01222192	Top Stop Clamp
29	01222193	Needle-to-Needle Connecting Pin
30	80746408	Philip's Head Screw M4x8
31	01222194	Normal Needle Clip Band Screw
32	80621101	Frame Needle

High Speed Needle Bar Case - 2

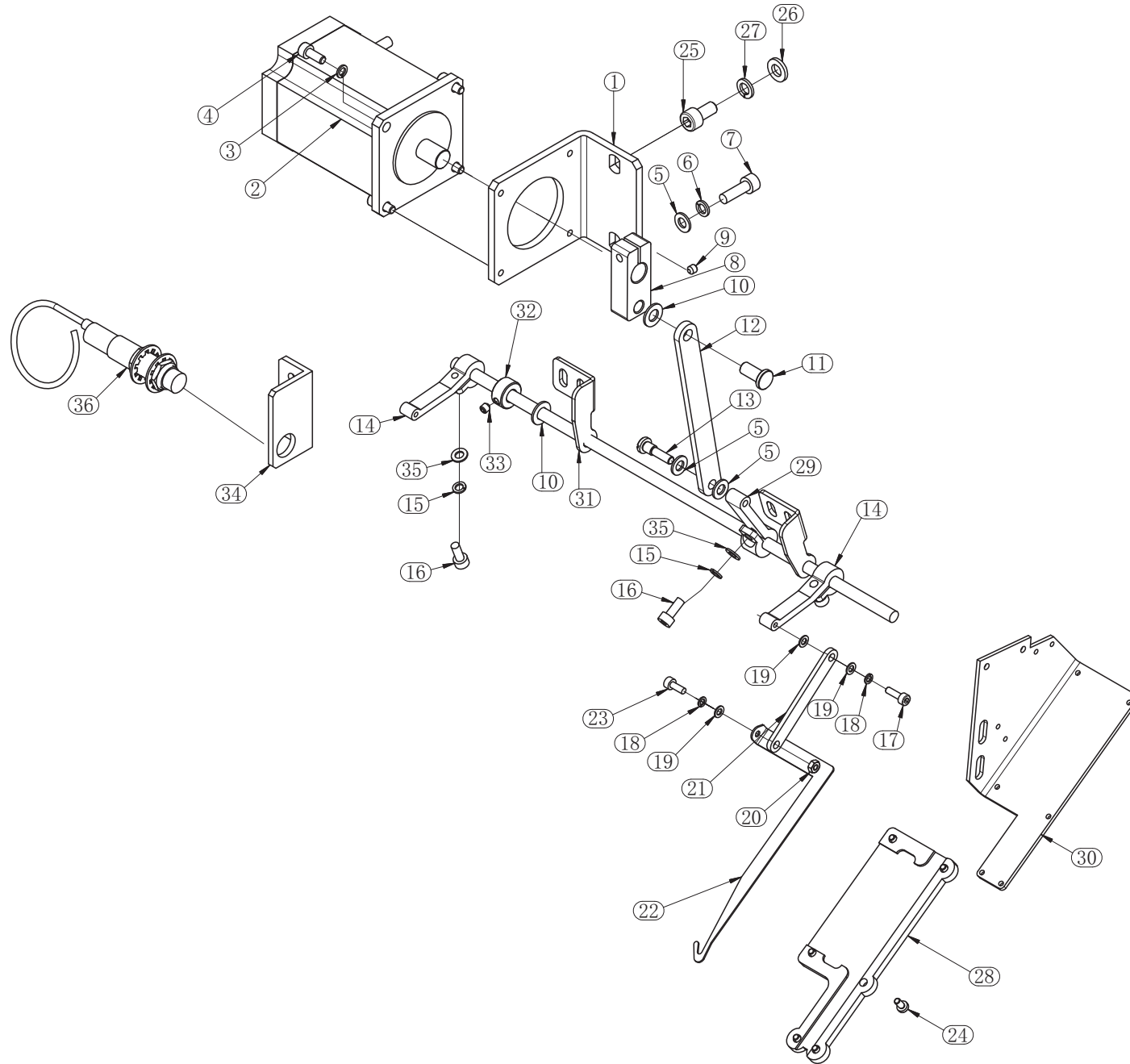


High Speed Needle Bar Case - 2

No	Part Number	Description
33	03080104	Needle Bar Pressor Foot Sleeve
34	03080103	Pressor Foot
35	01222104	Needle Bar Washer
36	03080108	Pressor Foot Spring
37	01222103	Normal Needle Bar Spring
38	03080101	Needle Bar
39	01222102	Needle Bar Screw
40	03086192	FaceThread Clamp Unit-12N
40	03086151	FaceThread Clamp Unit-15N
41		
42		
43		
44		
45		
46		
47		
48		
49		
50		
51		
52		
53		
54		
55		

No	Part Number	Description
56		
57		
58		
59		
60		
61		
62		
63		
64		
65		
66		
67		
68		
69		
70		
71		
72		
73		
74		
75		
76		
77		
78		
79		

Ordinary Upper Thread Hook

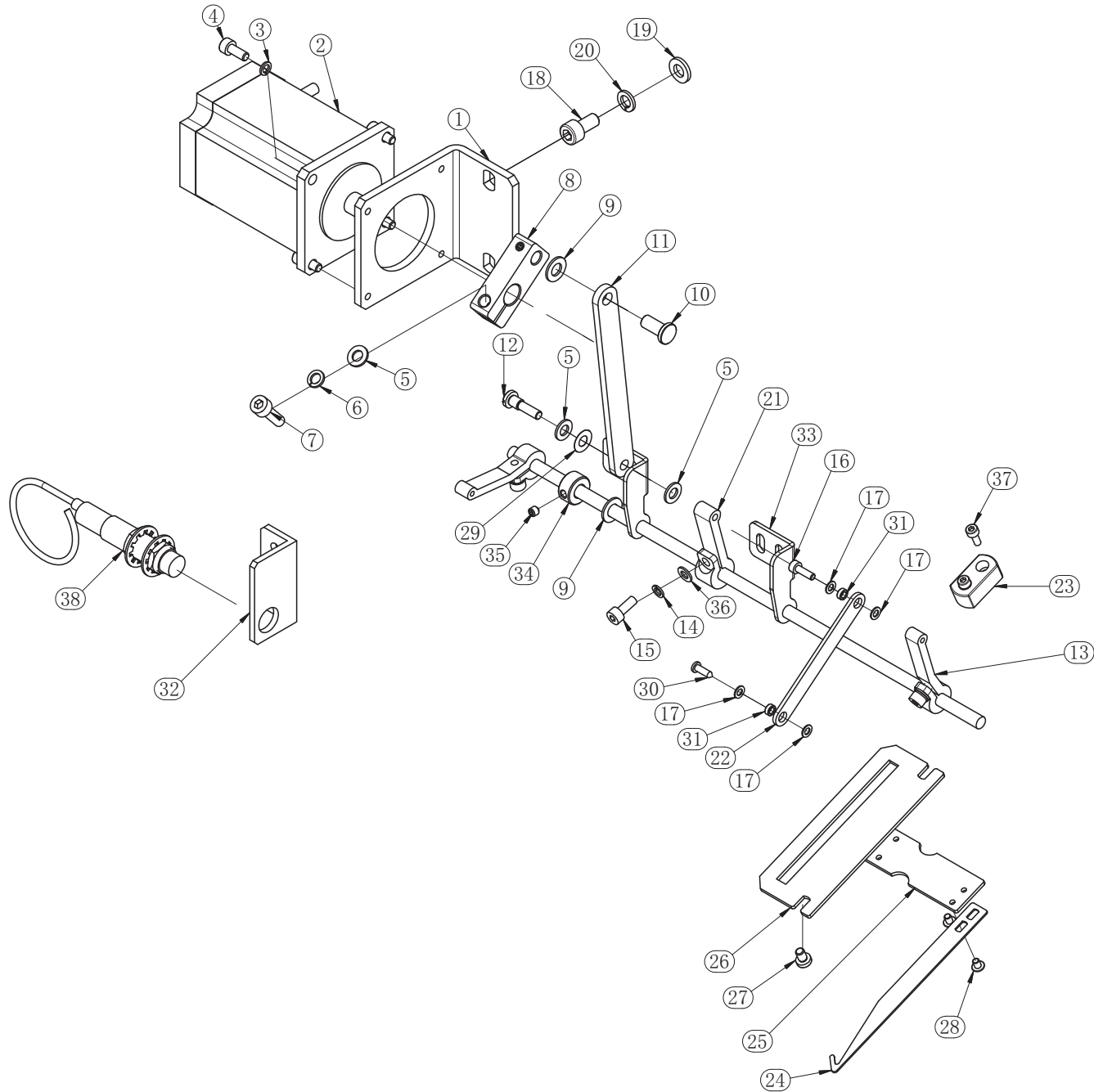


Ordinary Upper Thread Hook

No	Part Number	Description
1	01430522	Hook Line Motor Bracket
2	80315753	57 Stepping Motor
3	80900411	Spring Washer M4
4	80813410	Hex Socket Screw M4x10
5	80900501	Washer M5
6	80900511	Spring Washer M5
7	80810516	Hex Socket Screw M5x16
8	01430525	Hook Line Drive Block
9	80880404	Set Screws M4x4
10	80900601	Washer M6
11	01430504	Hook-line Driving Arm Pin
12	01430506	Hook-line Motor Connecting Rod
13	80924212	Shaft Shoulder Screw M4x12-5x5.5
14	01430521	Line-hook Spindle Driving Arm
15	80900413	Spring Washer M4
16	80810410	Hex Socket Cap Screw M4x10
17	80813310	Hex Socket Cap Screw M3x10
18	80900311	Spring Washer M3
19	80900301	Washer M3
20	80900321	Nut M3
21	01430106	Magnet Hook-line Connecting Rod
22	01430103	Plastic Cutter
23	80763308	Hex Socket Head Screw M3x8
24	80830306	Philip's Head Screw M3x6

No	Part Number	Description
25	80010614	Hex socket Head Screw M6x14
26	80150601	Washer M6
27	80900613	Spring Washer M6
28	01430102	magnet Hook Line Bracket
29	01430516	Driving Arm Driven Shaft
30	01430101	Magnet Hook Line Plate Rack
31	01430512	Support Hook Line Axis
32	01430509	Axis Checking Ring-6
33	80880404	Set Screws M4x4
34	01430507	Proximity Switch Bracket
35	80900403	Washer M4
36	80333605	Cylinder Proximity Switch Bracket
37		
38		
39		
40		
41		
42		
43		
44		
45		
46		
47		
48		

High Speed Upper Thread Hook

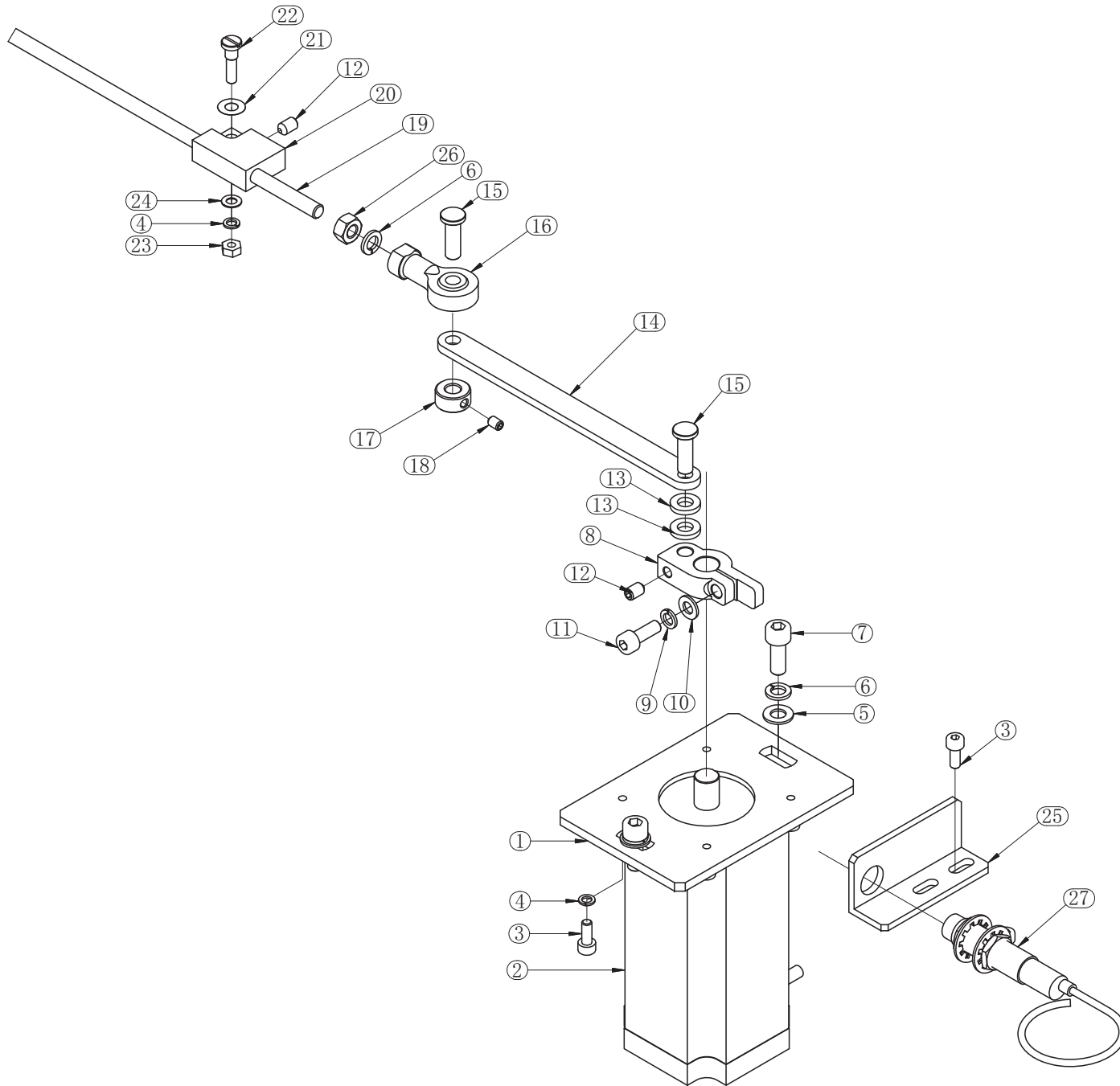


High Speed Upper Thread Hook

No	Part Number	Description
1	01430522	Hook Line Motor Bracket
2	80315753	57 Stepping Motor
3	80900411	Spring Washer M4
4	80813410	Hex Socket Screw M4x10
5	80900501	Washer M5
6	80900511	Spring Washer M5
7	80810516	Hex Socket Screw M5x16
8	01430525	Hook Line Drive Block
9	80900601	Washer M6
10	01430504	Hook-line Driving Arm Pin
11	01430506	Hook-line Motor Connecting Rod
12	80924212	Shaft Shoulder Screw M4x12
13	01430521	Line-hook Spindle Driving Arm
14	80900413	Line-hook Spindle Driving Arm
15	80810410	Spring Washer M4
16	80813310	Hex Socket Head Screw M4x10
17	80900301	Hex Socket Head Screw M3x10
18	80010614	Spring WasherM3
19	80150601	Washer M3
20	80900613	Spring Washer M6
21	01430516	Driving Arm-Driven Shaft
22	01430633	Hook Line Rod
23	01430622	Hook Line Fixed Block
24	01430623	Line Hook

No	Part Number	Description
25	01430634	Line Hook Bracket
26	01430631	Hook Line Guides
27	80740406	Philip's Head screw M4x6
28	80742304	Philip's Head Screw M3x4
29	80900501	Washer M5
30	80700203	Self Tapping Screws M3x20
31	01430528	Cylindrical Sets-3
32	01430507	Proximity Switch Bracket
33	01430512	Support-Hook Line Axis
34	01430509	Axis Checking Ring-6
35	80880404	Set Screws M4x4
36	80900403	Washer M4
37	80813308	Hex Socket Head Screw M3x8
38	80333605	Cylinder Proximity Switch Bracket
39		
40		
41		
42		
43		
44		
45		
46		
47		
48		

Trimming System



Trimming System

No	Part Number	Description
1	01400121	Thread Cut Motor Frame-57
2	80315760	Thread Cut Motor 57BYGH112S8
3	80040410	Hex Socket Head Screw M4x10
4	80900411	Spring Washer M4
5	80900601	Washer M6
6	80900611	Spring Washer M6
7	80820616	Hex Socket Head Screw M6x16
8	01400103	Thread Cut Driving Arm-12
9	80900511	Spring Washer M5
10	80900501	Washer M5
11	80813514	Hex Socket Head Screw M5x14
12	80880508	Set Screws M5x8
13	80900602	Washer M6
14	01400107	Thead Cut Draw Bar
15	01400102	Thead Cut Driving Arm
16	01400155	Oscillating Bearing
17	01430509	Axis Checking Ring -6
18	80880406	Set Screws M4x6
19	01100130	Thread Cut Draw Bar Axis
20	01400109	Bar Axis Connecting Chuck
21	80900501	Washer M5
22	80924212	Axis Shoulder Screw M4x12-5x5.5
23	80900421	Nut M4
24	80900401	Washer M5

No	Part Number	Description
25	01400105	Proximity Switch Bracket
26	80900621	Nut M6
27	80333605	Cylinder Proximity Switch
28		
29		
30		
31		
32		
33		
34		
35		
36		
37		
38		
39		
40		
41		
42		
43		
44		
45		
46		
47		
48		

X-axis Drive System

No	Part Number	Description
1	02511150	X-axis Motor Mounting Panel
2	02512225	Axle
3	02512222	Fixed Plate Belt
4	02512223	Belt Adjustment Sliding Board-left
5	80025202	Pulley 20-5M-22
6	02513101	X-axis Frame Connecting Plate
7	21233101	X-axis Drive Rack-4T400X450Y450
8	21223103	Slide Presser Plate
9	02513201	Frame Hloder-right
10	02513202	Frame Hloder-left
11	21233104	Connecting Plate
12	21233102	X-axis Shaft Cover
13	80300501	Stepping Motor 86BYG250
14	80030822	Bearing 19-8-6
15	80900801	Washer M8
16	01202280	Stop Collar
17	80030671	Circlip
18	02512221	Presser Plate M5
19	80025180	X-axis Synchronous Belt
20	80011153	Guide Rail-900
21	80810470	Hex Socket Head Screw M4x70
22	80810308	Hex Socket Head Screw M3x8
23	02512224	Belt Adjustment Sliding Board-right
24	80900301	Washer M3

No	Part Number	Description
25	80900313	Spring Washer M3
26	80810310	Hex Socket Head Screw M3x10
27	80900401	Washer M4
28	80900411	Spring Washer M3
29	80900408	Washer M4
30	80900418	Spring Washer M4
31	80813412	Hexagon Serew M4x12
32	80900613	Spring Washer M6
33	80866508	Flat Head Screw M5x8
34	80746512	Phillips Head Screw M5x12
35	02512204	X-axis Shaft Cover-left
36	02512203	X-axis Shagft Cover-right
37	80810416	Hex Socket Head Screw M4x16
38	80900413	Spring Washer M4
39	80900403	Washer M4
40	02513205	Spring
41	02513206	Plate
42	80763306	Hex Socket Head Screw M3x6
43	80746406	Truss Head Screw M4x6
44	80810614	Hex Socket Head Screw M6x14
45		
46		
47		
48		

Y-axis Drive System - 1

No	Part Number	Description
1	80810835	Hex Socket Cap Screw M8x35
2	80900813	Spring Washer M8
3	80900803	Washer M8
4	80880405	Set Screws M4x5
5	02522133	Drive Rear Cover Plate
6	80746406	Philip's Head Screw M4x6
7	02523152	Middle Drive Rear Cover Plate
8	02522136	Limit Mounting Plate
9	02522124	Y Drive Bracket
10	80813830	Hex Socket Cap Screw M8x30
11	80025181	Y Drive Timing Belt-450
12	02520120	Belt Platen Connector
13	02522123	Belt Platen-Double Slider
14	02523131	Middle Drive Belt Axis 10-13
15	02523133	Middle Drive-Driven Wheel
16	02523112	Drive Guide Rail Cover-Left/Right
17	80011150	Middle Drive Rail-580
18	80025131	PU Belt 1800-5M-30
19	80900413	Spring Washer M4
20	80810412	Hex Socket Cap Screw M4x12
21	80900403	Washer M4
22	02523122	Belt Upper Platen
23	02523151	Belt Platen-Middle
24	02520121	Gear Platen-Y

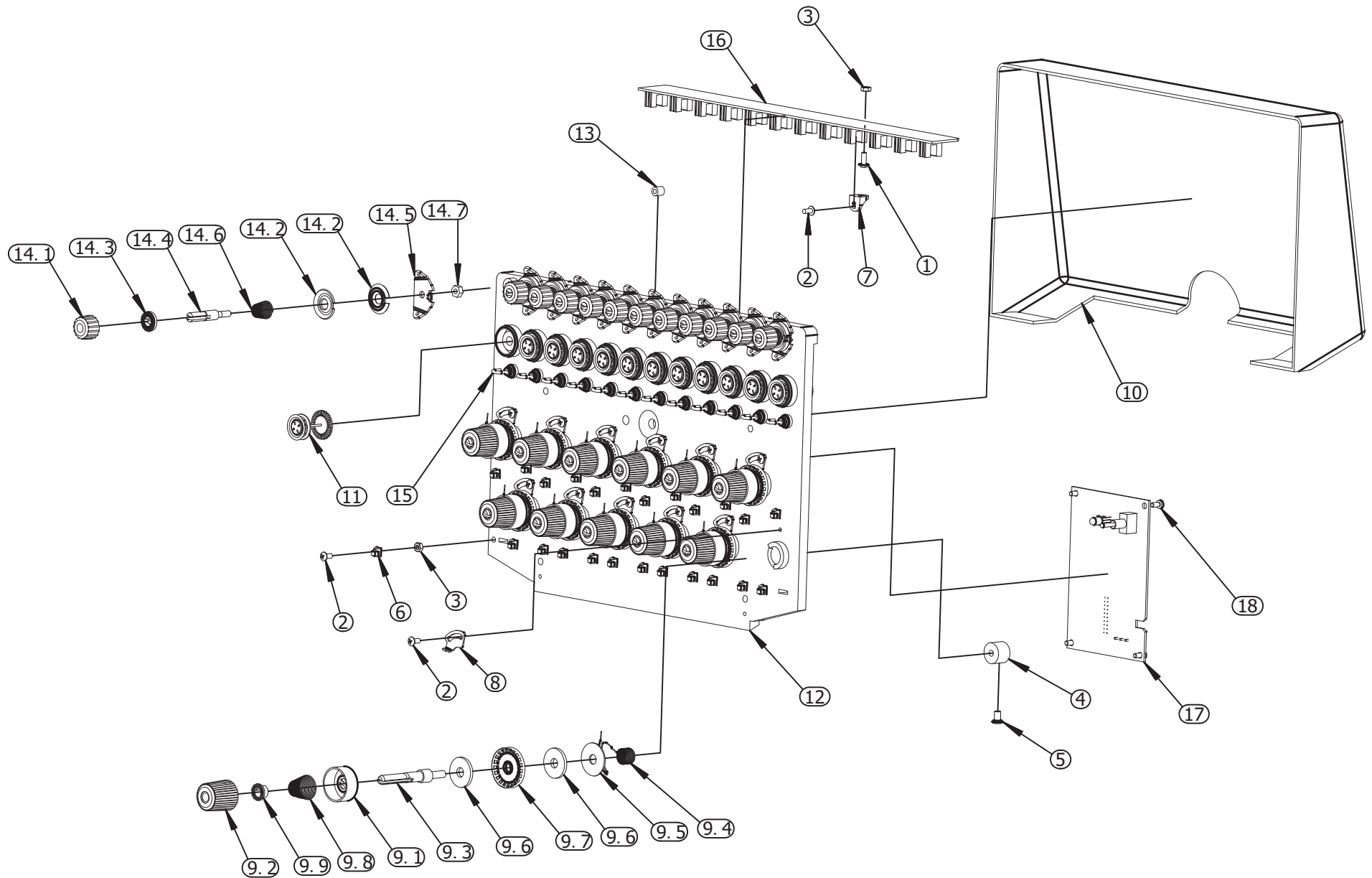
No	Part Number	Description
25	80025210	Belt Wheel 16-5M-40-13
26	80031024	Deep Groove Ball Bearing 22-10-6
27	80039122	Bearing Seat -22
28	02523101	Middle Guide RailDQ2926-1
29	80039011	Bearing UFL002
30	02523130	Middle Driving Arm
31	80900521	Nut M5
32	80813516	Hex Socket Cap Screw M5x16
33	80900518	Spring Washer M5
34	80900508	Washer M5
35	80031061	Nylon Washer 18-10-4.5
36	80025226	Belt Wheel 20-5M-36-YDB
37	02522101	Y Drive Belt Wheel Axis
38	02522102	Y Drive Belt Wheel Support
39	02522121	Y Drive Front Housing
40	80810308	Hex Socket Cap Screw M3x8
41	80011151	Linear Guide-L600
42	80880608	Hex Socket Cap Set Screw M6x8
43	80025223	Belt Wheel 20-5M-36-15
44	80813616	Hex Socket Cap Screw M6x16
45	80900618	Spring Washer M6
46	80900608	Washer M6
47	80880506	Set Screws M5x6
48	02522111	Y-axis frame rail(left/right)

Y-axis Drive System - 2

No	Part Number	Description
49	02522130	Y-Axis Bearing Seat
50	80031722	Bearing 35-17-10
51	80031501	Bearing Housing17
52	02524104	Y Drive Shaft L1190
53	02524103	Y Drive Shaft-755
54	80880808	Set Screws M8x8
55	80031511	Coupling Sleeve
56	80813825	Hex Socket Cap Screw M8x25
57	80900818	Spring Washer M8
58	80900808	Washer M8
59	80301102	Stepping Motor110BYG350
60	02522142	Y Electric Rack -110
61	02523132	Middle Drive Pulley
62	80031031	Needle Bearing 17-10-15
63		
64		
65		
66		
67		
68		
69		
70		
71		
72		

No	Part Number	Description
73		
74		
75		
76		
77		
78		
79		
80		
81		
82		
83		
84		
85		
86		
87		
88		
89		
90		
91		
92		
93		
94		
95		
96		

Thread Tension Base I

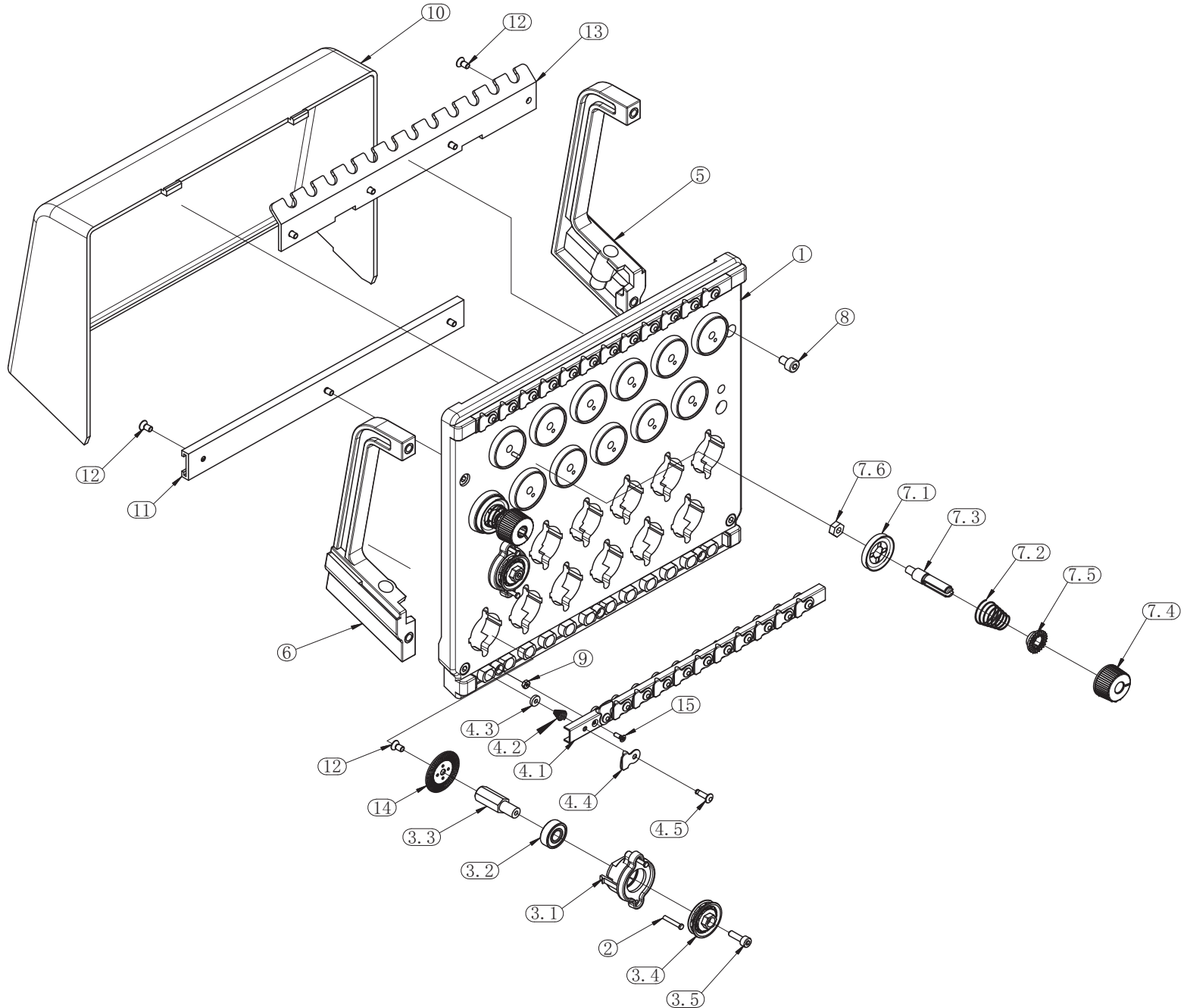


Thread Tension Base I

No	Part Number	Description
1	80742308	Philip's head Screw M3x8
2	80746306	Philip's Head Screw M3x6
3	80900321	Nut M3
4	80210105	Breakage Detection Rod
5	80744406	T Head Philip's Head Screw
6	80210104	Line Hook
7	80210106	PCB Support
8	80211110	Locating Block
9	80211180	Tightener Module
9.1	80211122	Tight Sleeve
9.2	80211121	Tension Regulator
9.3	80211101	Big Tension Bolt
9.4	80211102	Thread Take-up Spring
9.5	80211103	Insulating Washer
9.6	80211104	Washer
9.7	80211105	Plastic Wire Roller
9.8	80211106	Big Tension Spring
9.9	80211108	Lock Washer
10	80210103	Wire Guide Housing-12N
11	80211371	Breakage Detection Wheel Module
12	80210107	Wire Guide I Type-12N
13	80210109	Plastic Bearing
14	80210520	Knob Module
14.1	80210504	Small Tension Regulator

No	Part Number	Description
14.2	80210513	Rotary Clamp Plate
14.3	80210515	Lock Ring
14.4	80210512	Tension Bolt
14.5	80210514	Thread Guide Plate
14.6	80210516	Small Tension Bolt
14.7	80900421	Nut M4
15	80210110	Traveller
16	80230712	PCB Board-EF117A
17	80230711	PCB Board-EF122K
18	80830306	Philip's head screw M3x6
19		
20		
21		
22		
23		
24		
25		
26		
27		
28		
29		
30		
31		
32		

Thread Tension Base II

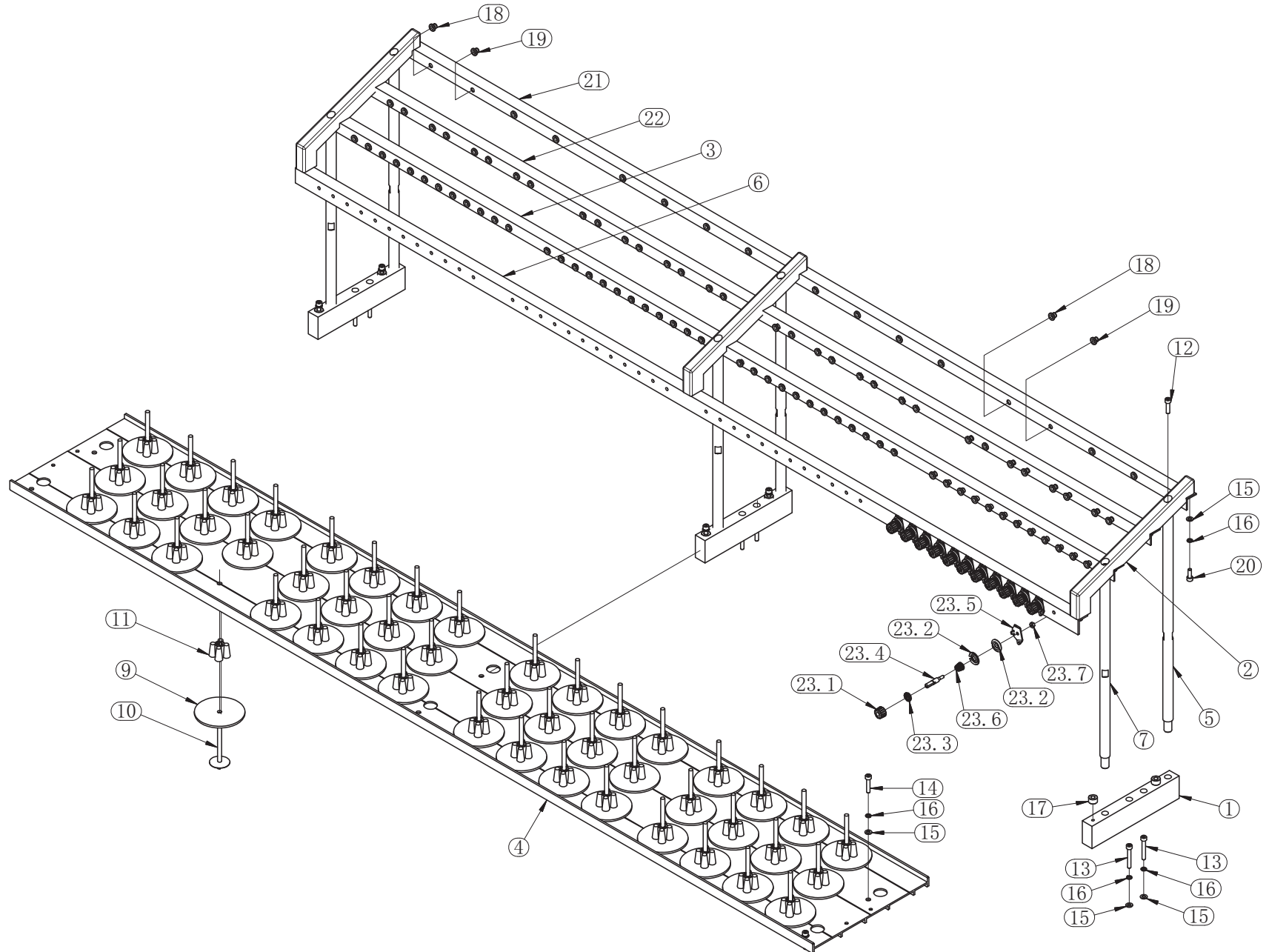


Thread Tension Base II

No	Part Number	Description
1	03144205	Wire Guide Plate-12N
1	03141507	Wire Guide Plate-15N
2	03144206	Thread Retaining Column
3	0314252	Line Ball Wheel Module
3.1	03144203	Thread Guide Wheel Seat
3.2	03144204	Axis
3.3	03144251	Creaser Wheel
3.4	80813310	Hex Socket Cap Screw M3x10
4	03144253	Thread Guide Strap Module
4.1	03144213	Thread-clamping Strap-12N
4.1	03144508	Thread-clamping Strap-15N
4.2	03144224	Pressure Plate Spring
4.3	03144223	Rubber Apron
4.4	03144219	Pressure Sheet
4.5	03144225	Pin
5	03144215	Bracket-Right-12N
5	03144509	Bracket-Right-15N
6	03144214	Bracket-Left-12N
6	03144510	Bracket-Left-15N
7	03144254	Thread Tensioner Module
7.1	03144202	Pressure Sheet
7.2	03144209	Spring
7.3	03144208	Thread Tension Bolt
7.4	03144207	Tightening Knob

No	Part Number	Description
7.5	03144226	Lock Washer
7.6	80900421	Nut M4
8	80040406	Hex Socket Cap Screw M4x6
9	80900201	Nut M2
10	03144212	Thread Guide Rear Cover-12N
10	03144512	Thread Guide Rear Cover-15N
11	03144222	Breakage Detection Seat Slider
12	80860306	Philip's Head Screw M3
13	03144210	Thread Guide Support Plate-12N
13	03144516	Thread Guide Support Plate-15N
14	03144220	Breakage Detection Wheel-12N
14	03131521	Breakage Detection Wheel-15N
15	80720206	Philip's Head Screw M2
16	03144211	Locating Pin
17		
18		
19		
20		
21		
22		
23		
24		
25		
26		

Thread Stand

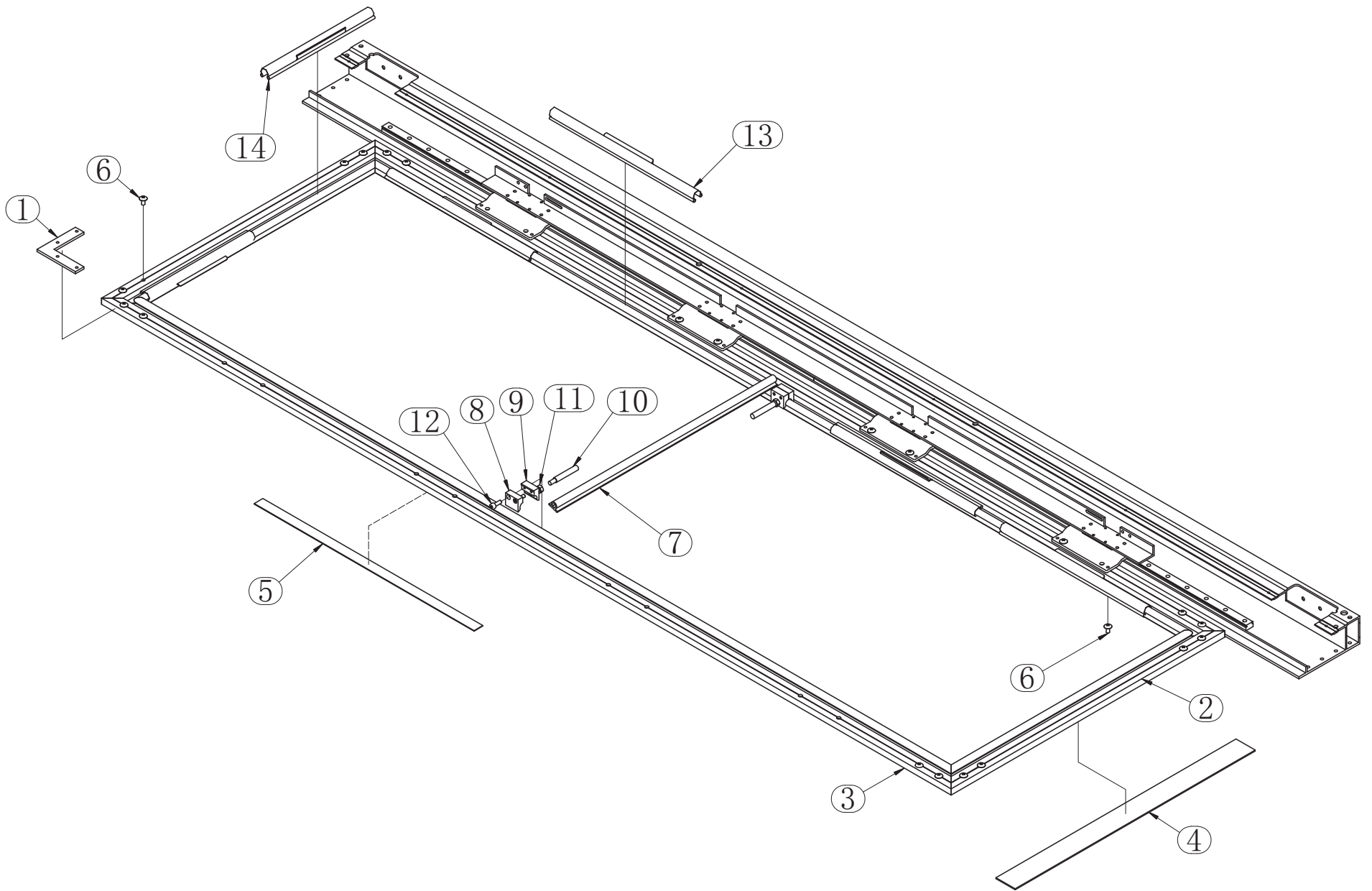


Thread Stand

No	Part Number	Description
1	01902104	Wire Coil Cushion Block-Biax
2	01902130	Biax Thread Stand Beam
3	21230521	Thread Stand B-4T400
4	21230525	Wire Coil-4T400
5	01903102	Thread Stand Vertical Post-400
6	21230510	Thread Stand-A-4T400
7	01903101	Thread Stand Vertical Post-350
8	80211080	Spool Pin Assembly Parts
9	80211009	Spool Pin Sponge Mat
10	80211007	Spool Pin B25
11	80211008	Wire Coil Mat B5
12	80813520	Hex Socket Cap Screw M5x20
13	80813535	Hex Socket Cap Screw M5x35
14	80813525	Hex Socket Cap Screw M5x25
15	80900508	Washer M5
16	80900518	Spring Washer M5
17	80030641	Nylon Washer 6-13-8
18	80211006	Thread Stand Casing-Red
19	80211005	Casing-White
20	80813514	Hex Socket Cap Screw M5x14
21	21230523	Thread Stand D-4T400
22	21230522	Thread Stand C-4T400
23	80210520	Thread Stand knob Module
23.1	80210504	Small Clamp Thread Regulator

No	Part Number	Description
23.2	80210513	Rotary Bracket
23.3	80210515	Locking Ring
23.4	80210512	Clamp Wire Bolt
23.5	80210514	Wire Guide Plate
23.6	80210516	Small Clamp Wire Spring
23.7	80900421	Nut M4
24		
25		
26		
27		
28		
29		
30		
31		
32		
33		
34		
35		
36		
37		
38		
39		
40		
41		

Frame

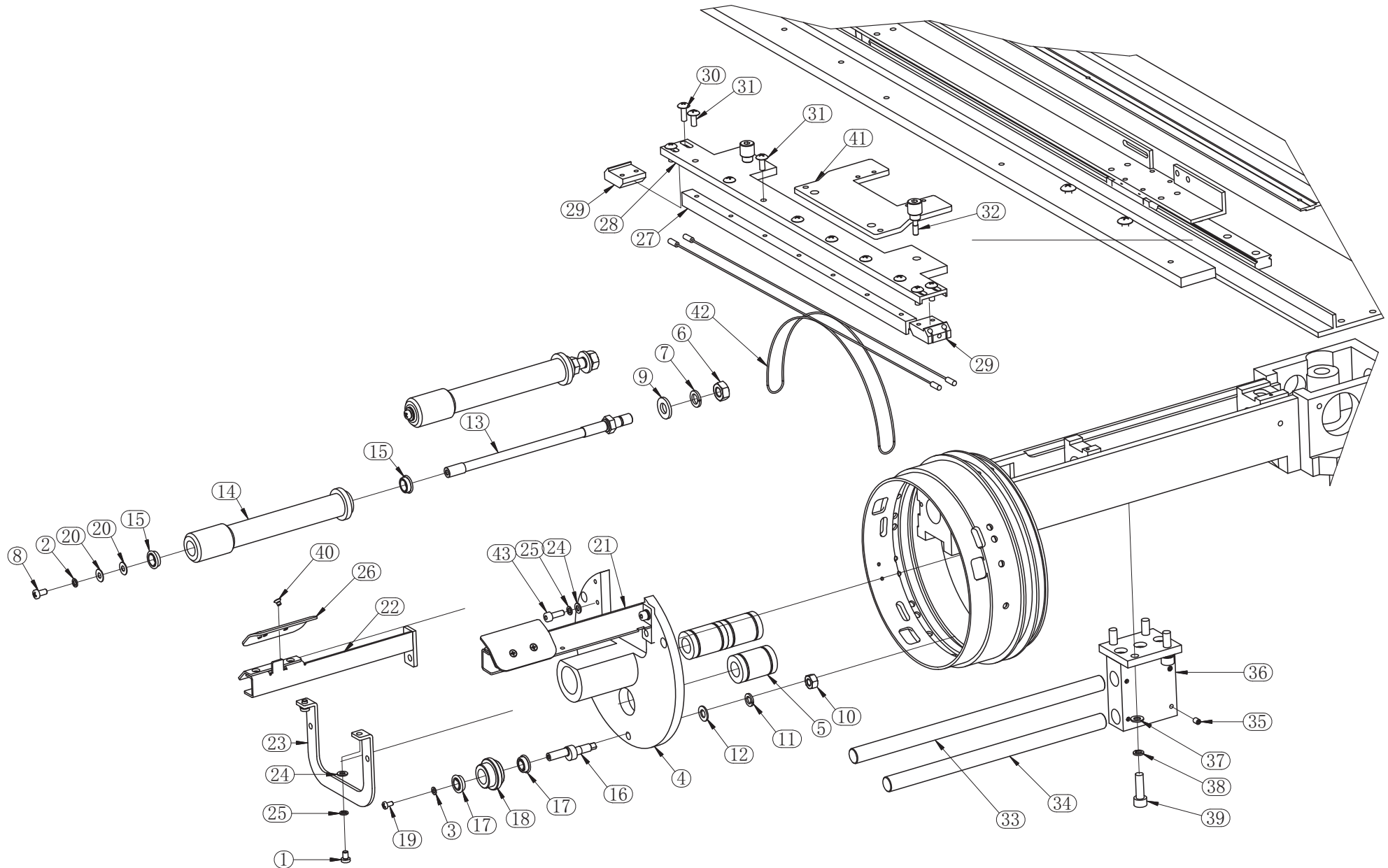


Frame

No	Part Number	Description
1	02513010	CT Flat Frame Right-angle Rack
2	02513002	Flat Frame Framework 4T400
3	02513001	Flat Frame Framework 4T400
4	02513021	Flat Frame Felt- Vertical
5	02513005	Flat Frame Felt- Middle
6	80746510	Philip's Head Screw M5x10
7	02513003	Flat Frame Framework-Middle
8	02513031	Chuck A
9	02513032	Chuck B
10	02513033	Chuck Pin
11	80900621	Nut M6
12	80810514	Hex.Socket Cap Screw M5x 14
13	01505101	Feed Collet L300
14	01505102	Feed Collet L220
15		
16		
17		
18		
19		
20		
21		
22		
23		
24		

No	Part Number	Description
25		
26		
27		
28		
29		
30		
31		
32		
33		
34		
35		
36		
37		
38		
39		
40		
41		
42		
43		
44		
45		
46		
47		
48		

Cap Frame - A

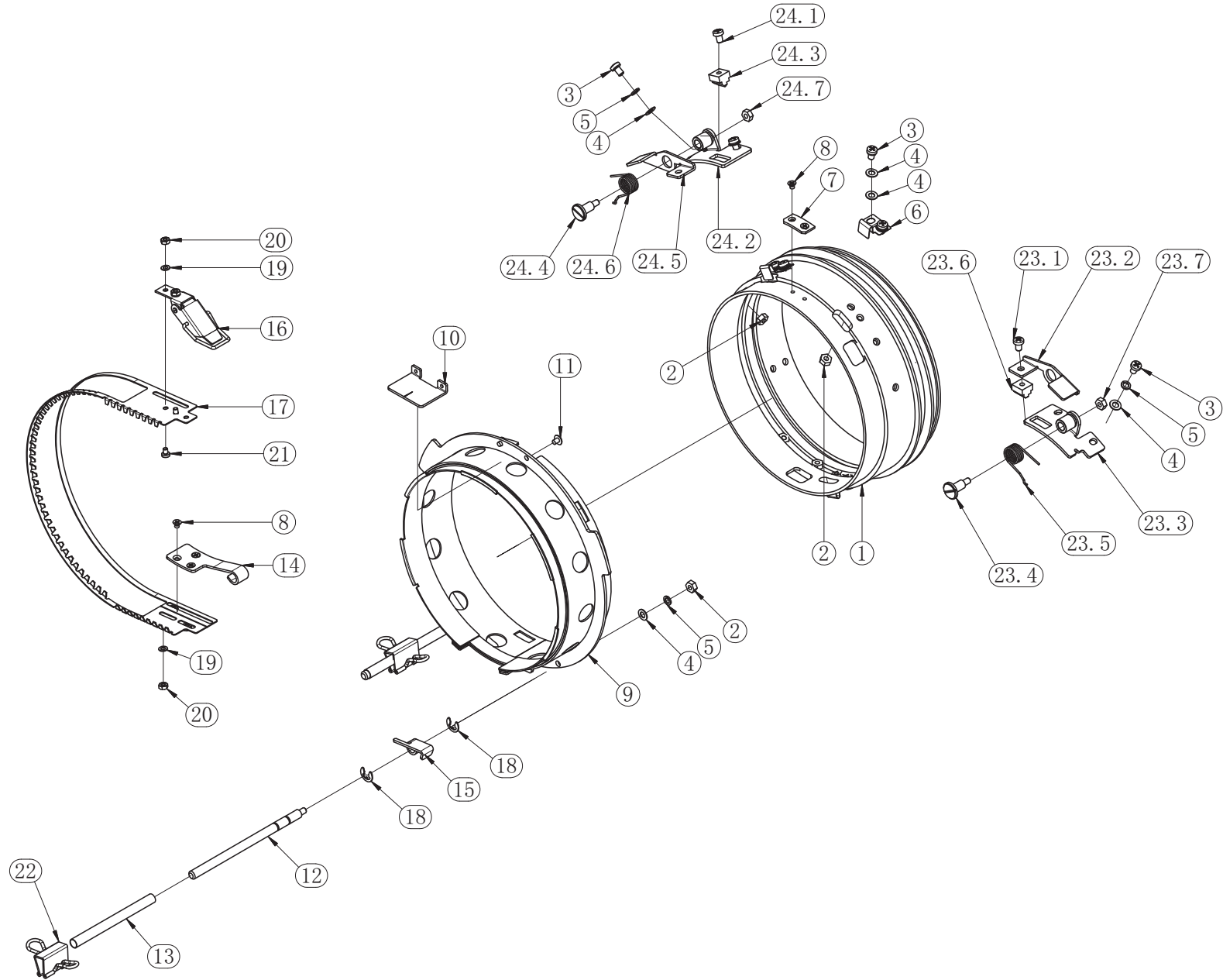


Cap Frame - A

No	Part Number	Description
1	80740406	Philip's Head Screw M4x6
2	80900411	Spring Washer M4
3	80900301	Washer M3
4	02814105	Hat Rack
5	80012101	Linear Motion Bearing
6	80900821	Nut M8
7	80900811	Spring Washer M8
8	80030408	Philip's Head Screw M4x8
9	80900801	Washer M8
10	80900621	Nut M6
11	80900611	Spring Washer M6
12	80900601	Washer M6
13	02810102	Roller Bearing
14	02810103	Roller Bearing Wheel
15	80030842	Flange Type Bearing 8mm
16	02810105	Eccentric Pin Roll
17	80030641	Flange Type Bearing 6
18	02810106	Hat Rack Idler Wheel
19	80830306	Philip's Head Screw M3x6
20	80900401	Washer M4
21	02811228	Internal Rack Welding -Left
22	02811229	Internal Rack Welding -Right
23	02811231	U-Rack
24	80900408	Washer M4

No	Part Number	Description
25	80900418	Spring Washer M4
26	02811233	Support Plate
27	02814111	Hat Rack Guide Strip
28	02814110	Hat Rack Bracket
29	02814112	Hat Rack Steel Fixed Head
30	80746412	Philip's Head Screw M4x12
31	80746410	Philip's Head Screw M4x10
32	02814121	Rack Bracket Screw
33	02814152	Support Seat Arm Shaft
34	02814153	Support Seat Lower Shaft
35	80880406	Hexagon socket screws M4x6
36	02814155	Biax Support Seat
37	80900508	Washer M5
38	80900518	Spring Washer M5
39	80813620	Hexagon socket screws M6x20
40	80860304	Countersink Philip's Screw M3x4
41	02513101	X Frame Connecting Plate
42	01814014	Steel Wire
43	80813412	Hexagon socket screws M4x12
44		
45		
46		
47		
48		

Cap Frame - B

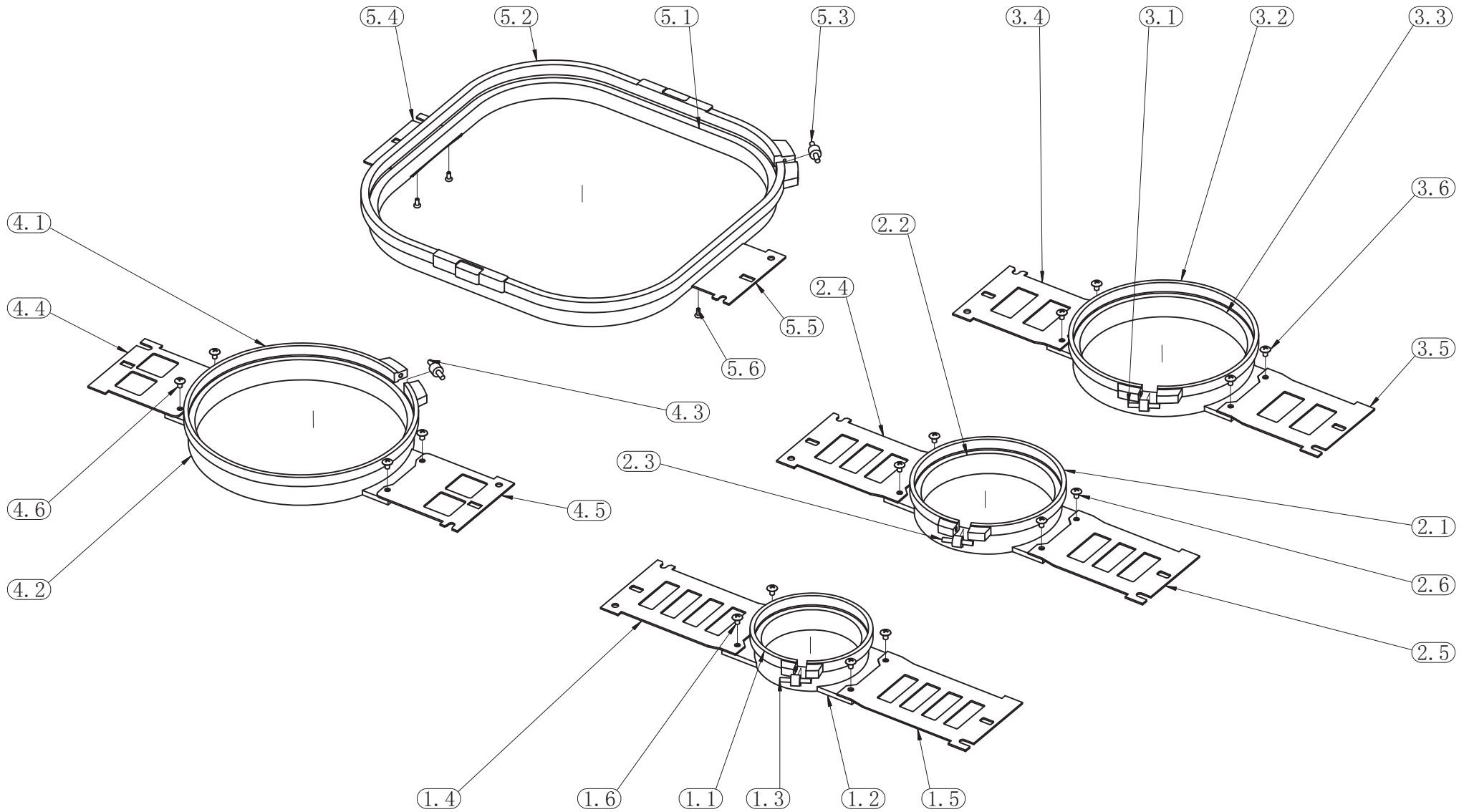


Cap Frame - B

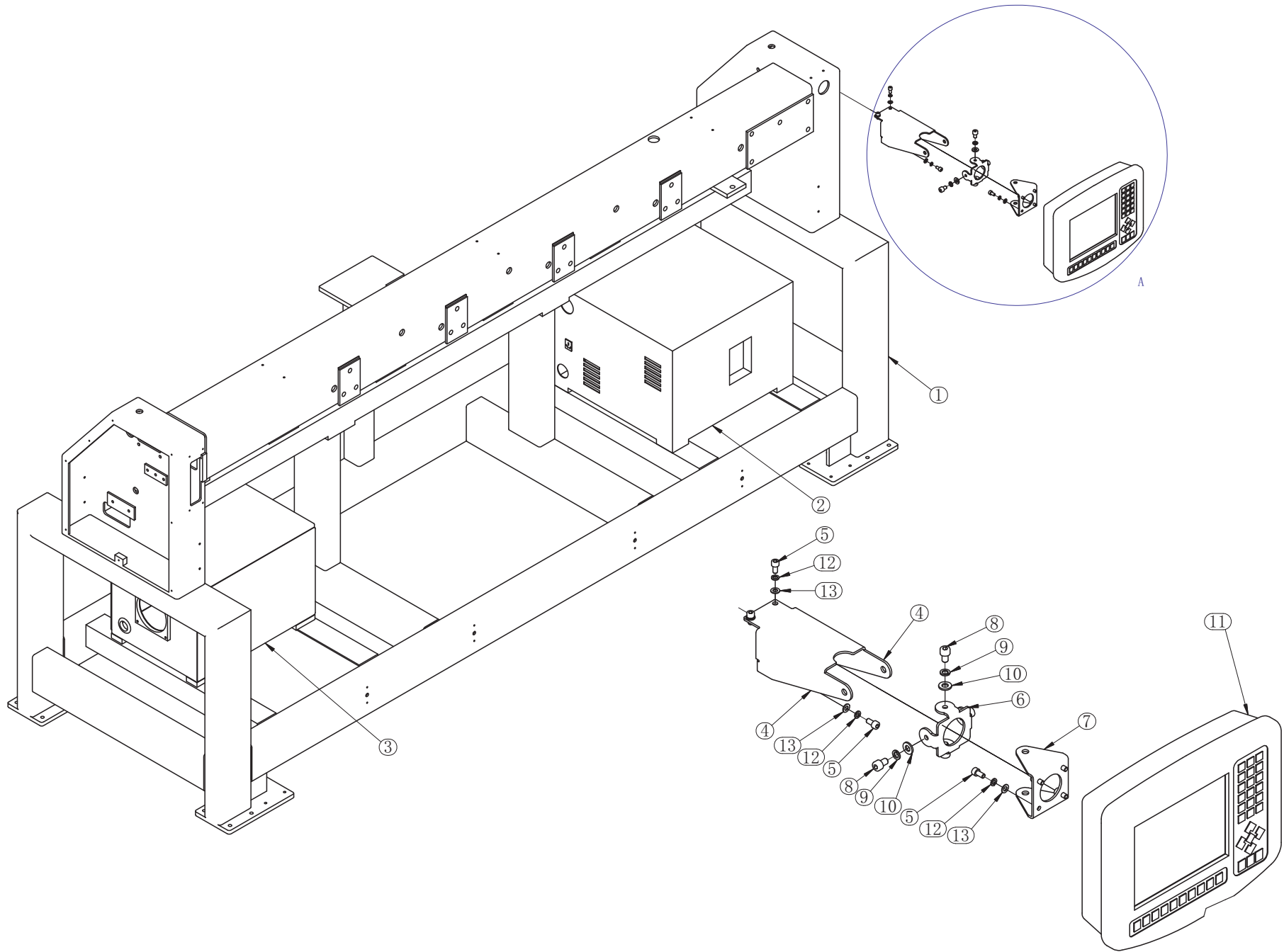
No	Part Number	Description
1	02814113	Hat Cylinder-Heavy
2	80900421	Nut M4
3	80740406	Philip's Head Screw M4x6
4	80900401	Washer M4
5	80900411	Spring Washer M4
6	02810203	Limit Shrapnel
7	02810204	Locating Fixture Block
8	80860304	Countersink Philip's Screw M3x4
9	02811009	Hat Grip Ring Parts
10	02811006	Locating Block
11	80746304	Philip's Head Screw M3x4
12	02811012	Hat Clamp Fulcrum Bar
13	02811031	Rubber Bushing
14	02811011	Hat Strapping Nob
15	02811019	Tapered End Hook
16	02811081	Tapered End
17	02811010	Hat Strapping Rod
18	80030671	E Type Outside Calliper Spring
19	80900301	Washer M4
20	80900321	Nut M3
21	80740304	Philip's Head Screw M3x4
22	02811055	Clamp Module
23	02810201	Clamp Head A
23.1	80740406	Philip's Head Screw M4x6

No	Part Number	Description
23.2	02810211	Chuck A
23.3	02810211	Clamp Head Pedestal
23.4	02810215	Chuck Sleeve Screw
23.5	02811016	Chuck Spring
23.6	02810213	Clamp Head
23.7	80900421	Nut M4
24	02810271	Clamp Head B
24.1	80740406	Philip's Head Screw M4x6
24.2	02810212	Clamp Head Pedestal B
24.3	02810213	Clamp Head
24.4	02810215	Chuck Sleeve Screw
24.5	02810212	Chuck B
24.6	02810217	Chuck Spring B
24.7	80900421	Nut M4
25		
26		
27		
28		
29		
30		
31		
32		
33		
34		

Clothing Frame



Electrical Part

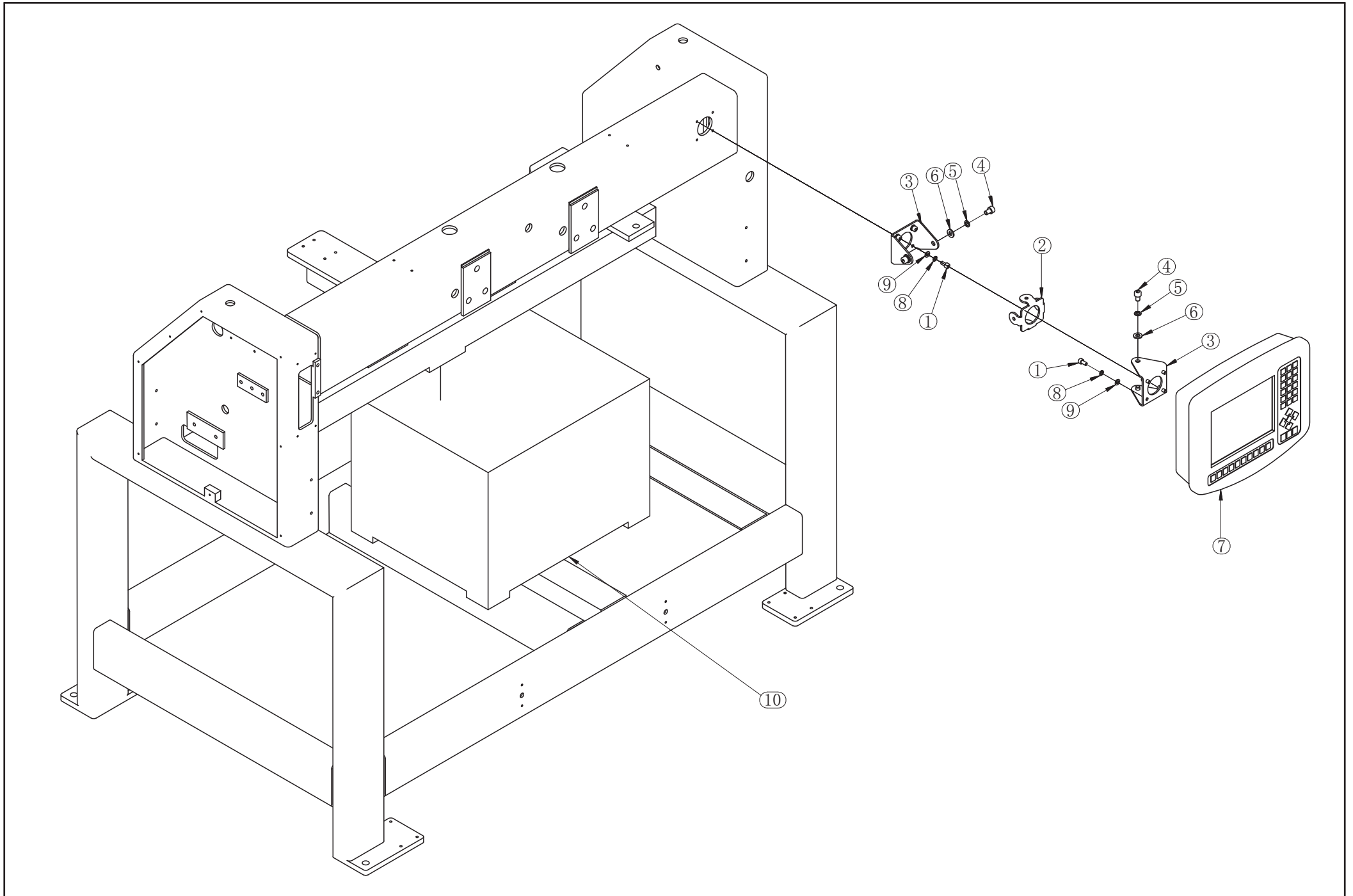


Electrical Part

No	Part Number	Description
1	21230362	Rack 4T400X450Y450
2	80230503	Electrical Control Box
3	80230601	Drive Box
4	02720135	Bracket A
5	80763612	Hex Socket Head Screw M6x12
6	02720132	Bracket B
7	02720131	Bracket C
8	80813813	Hexagon Screw M8x12- Tooth Left
9	80900818	Spring Washer M8
10	80900808	Washer M8
11	02720401	Operating Head 366
12	80900618	Spring Washer M6
13	80900608	Washer M6
14		
15		
16		
17		
18		
19		
20		
21		
22		
23		
24		

No	Part Number	Description
25		
26		
27		
28		
29		
30		
31		
32		
33		
34		
35		
36		
37		
38		
39		
40		
41		
42		
43		
44		
45		
46		
47		
48		

Electrical Part - 2 Heads



Electrical Part - 2 Heads

No	Part Number	Description
1	80763612	Hex Head Cap Screw M6x12
2	02720132	Gimbals Frame B
3	02720131	Gimbals Frame C
4	80813813	Hex Head Cap Screw M8x12
5	80900818	Spring Washer M8
6	80900808	Washer M8
7	80230921	366 Operating Head
8	80900618	Spring Washer M6
9	80900608	Washer M6
10	80230502	C Serial Electric Cabinet
11		
12		
13		
14		
15		
16		
17		
18		
19		
20		
21		
22		
23		
24		

No	Part Number	Description
25		
26		
27		
28		
29		
30		
31		
32		
33		
34		
35		
36		
37		
38		
39		
40		
41		
42		
43		
44		
45		
46		
47		
48		

A Passion for Excellence

RiCOMA[®]