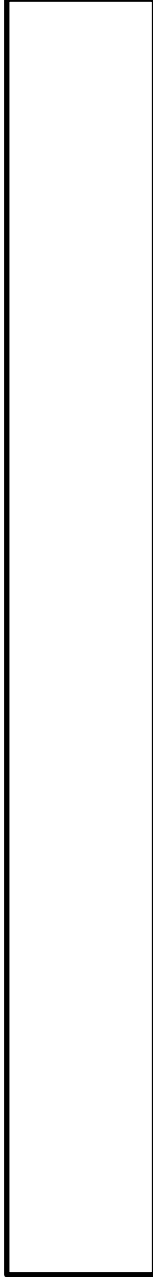
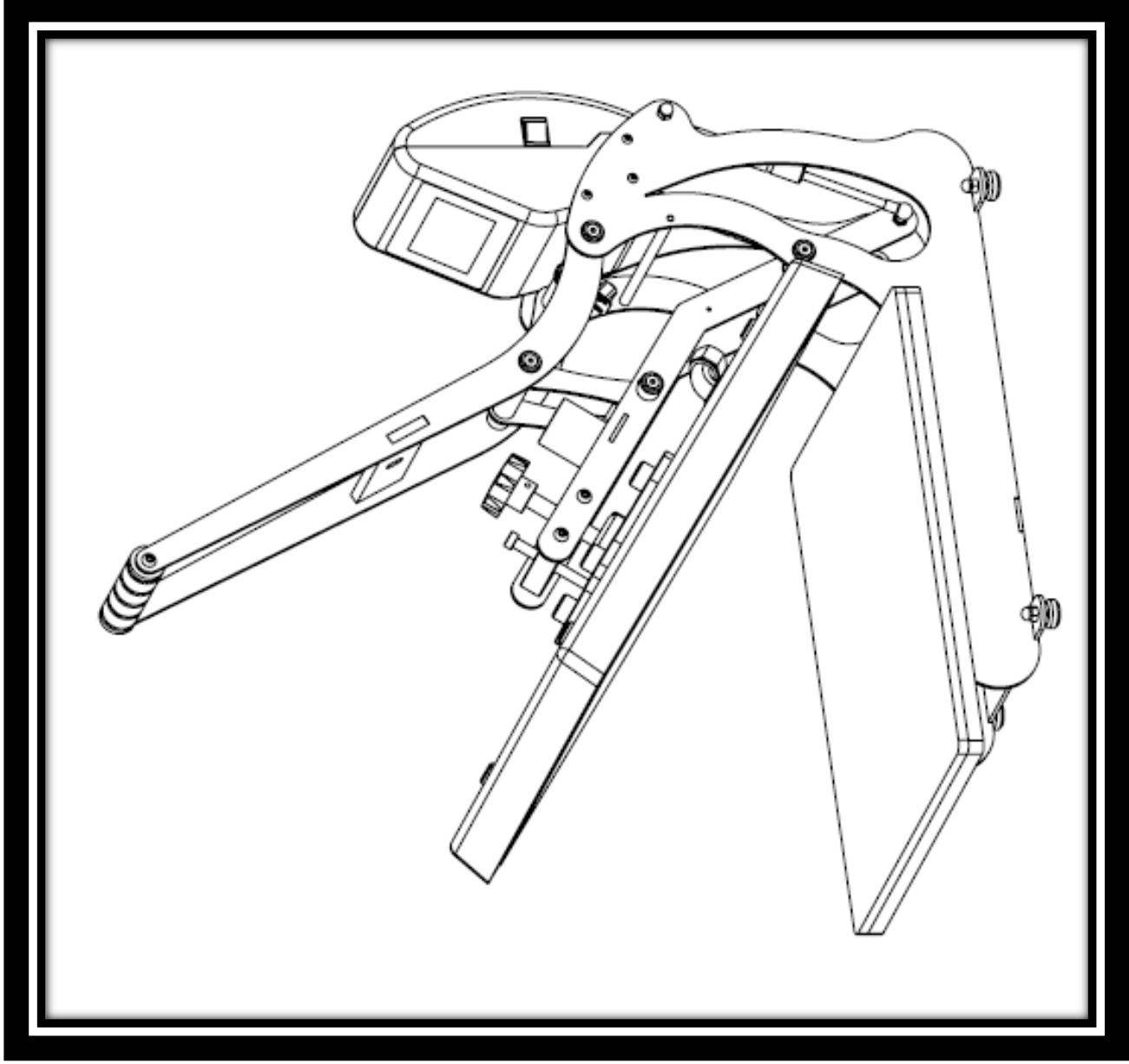
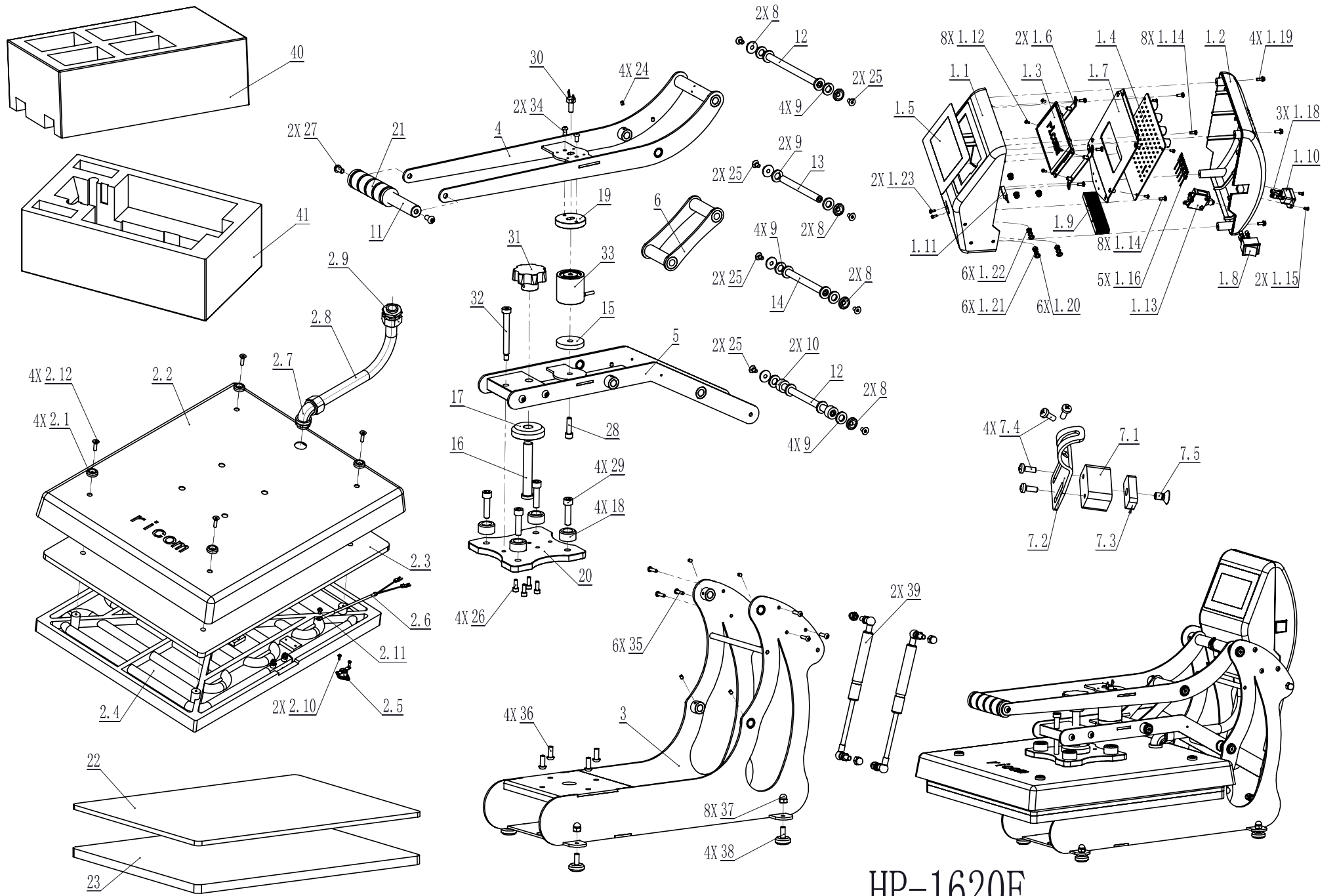


**HEAT PRESS**

**HP-1620F**





HP-1620F

HP-1620F

| NO.  | CODE          | Part Name                              | UNIT | Qty. |
|------|---------------|--|------|------|
| 1.1  | 5010100101    | Touch Panel Front Cover                | PCS  | 1    |
| 1.2  | 5010100102    | Touch Panel Rear Cover                 | PCS  | 1    |
| 1.3  | 5010100103    | Touch Panel - 5 Inch                   | PCS  | 1    |
| 1.4  | 5010100104    | Circuit Board                          | PCS  | 1    |
| 1.5  | 5010100105    | Screen Protector                       | PCS  | 1    |
| 1.6  | 5010100106    | Screen Bracket                         | PCS  | 2    |
| 1.7  | 5010100107    | Circuit Board Mounting Plate           | PCS  | 1    |
| 1.8  | 80380901      | Switch                                 | PCS  | 1    |
| 1.9  | 5010100104-01 | Heat Dissipation Base                  | PCS  | 1    |
| 1.10 | 80380802      | AC Plug                                | PCS  | 1    |
| 1.11 | 80333620-250  | Magnetic Switch GPS-23L - 250          | PCS  | 1    |
| 1.12 | 80742306      | M4*12 Phillips Head Screw              | PCS  | 8    |
| 1.13 | 803804018     | Electric Current Overload Protector    | PCS  | 1    |
| 1.14 | 80740410      | M4*10 Phillips Small Round Head Screw  | PCS  | 8    |
| 1.15 | 80860329      | M3*10 Phillips Flat Head Screw         | PCS  | 2    |
| 1.16 | 80387401      | Fork Insulated Terminal SVL2-4         | PCS  | 5    |
| 1.17 | 80387120      | 6.3 Plug Spring Terminal FDFN2-250     | PCS  | 4    |
| 1.18 | 80387601      | 4.8 Plug Spring Terminal FDFN2-187     | PCS  | 3    |
| 1.19 | 80740450-12   | M4*12 Phillips Head Screw              | PCS  | 4    |
| 1.20 | 80900501      | Flat Cushion M5                        | PCS  | 6    |
| 1.21 | 80900518      | Elastic Cushion M5                     | PCS  | 6    |
| 1.22 | 80900528      | Nut M5                                 | PCS  | 6    |
| 1.23 | 80742308      | M4*12 Phillips Head Screw              | PCS  | 2    |
| 2.1  | 5050010025    | Insulation Cushion                     | PCS  | 4    |
| 2.2  | 5020162001    | Heating Plate Protecting Cover - 1620F | PCS  | 1    |
| 2.3  | 5020162002    | Insulation Cotton - 1620F              | PCS  | 1    |
| 2.4  | 5020162003    | Heating Plate - 1620F                  | PCS  | 1    |
| 2.5  | 80330201      | Overheat Protector KSD301-230 - Plate  | PCS  | 1    |
| 2.6  | 80330202      | Thermal Resistance PT100               | PCS  | 1    |
| 2.7  | 80380303      | Metal Hose Joint G1-2 Φ16MM - 90 D     | PCS  | 1    |
| 2.8  | 80071601-300  | Metal Hose Φ16MM-L300                  | PCS  | 1    |
| 2.9  | 80380302      | Metal Hose Joint G1-2 Φ16MM            | PCS  | 1    |
| 2.10 | 80742306      | M4*12 Phillips Head Screw              | PCS  | 2    |
| 2.11 | 80763612-BL   | M6*12 Hexagon Round Head Screw         | PCS  | 1    |
| 2.12 | 80866520-BL   | M5*20 Hexagon Flat Head Screw          | PCS  | 4    |
| 3    | 5030162001    | Body Assembly - 1620F                  | PCS  | 1    |
| 4    | 5030162002    | Upper Lever Assembly - 1620F           | PCS  | 1    |
| 5    | 5030162003    | Lower Lever Assembly - 1620F           | PCS  | 1    |
| 6    | 5030151504    | Connecting Rod - 1515F                 | PCS  | 1    |
| 7.1  | 5050020002    | Magnet Base                            | PCS  | 1    |
| 7.2  | 5050030015    | Sensor Plate                           | PCS  | 1    |
| 7.3  | 80080201      | Square Magnet 20*10*5                  | PCS  | 1    |
| 7.4  | 80742306      | M4*12 Phillips Head Screw              | PCS  | 4    |
| 7.5  | 80860408      | M4*8 Flat Head Phillips Head Screw     | PCS  | 1    |
| 8    | 5050010002    | Decorating Piece                       | PCS  | 8    |
| 9    | 5050010003    | Hinge Gasket                           | PCS  | 14   |
| 10   | 5050010004    | Hinge Spacer                           | PCS  | 2    |
| 11   | 5050010005    | Handle L117                            | PCS  | 1    |
| 12   | 5050010006    | Shaft L180                             | PCS  | 2    |
| 13   | 5050010007    | Shaft L115.5                           | PCS  | 1    |

|    |              |                                      |     |   |
|----|--------------|--------------------------------------|-----|---|
| 14 | 5050010008   | Shaft L133                           | PCS | 1 |
| 15 | 5050010009   | Rubber Cushion                       | PCS | 1 |
| 16 | 5050010021   | Bolt                                 | PCS | 1 |
| 17 | 5050010022   | Flange Base                          | PCS | 1 |
| 18 | 5050010026   | Insulation Cap - M10                 | PCS | 4 |
| 19 | 5050010028   | Iron Block                           | PCS | 1 |
| 20 | 5050020010   | Transfer Board - 2                   | PCS | 1 |
| 21 | 5050040001   | Foam Handle                          | PCS | 1 |
| 22 | 50401620001  | Silicone Cushion - 1620              | PCS | 1 |
| 23 | 50401620002  | Platform Floor - 1620                | PCS | 1 |
| 24 | 80880506     | Set Screw M5-L6                      | PCS | 8 |
| 25 | 80866612-BL  | M6*12 Hexagon Socket Head Screw      | PCS | 8 |
| 26 | 80813616-BL  | M6*16 Hexagon Socket Head Cap Screw  | PCS | 4 |
| 27 | 80763816-BL  | M8*16 Hexagon Round Head Screw       | PCS | 2 |
| 28 | 80813830-BL  | M8*30 Hexagon Socket Head Cap Screw  | PCS | 1 |
| 29 | 80814040-BL  | M10*40 Hexagon Socket Head Cap Screw | PCS | 4 |
| 30 | 80920908-20  | Butterfly Type Bolt M8*20            | PCS | 1 |
| 31 | 80921201     | Star Handle AM16*65                  | PCS | 1 |
| 32 | 80924220     | Shoulder Bolt D10-L80-M8             | PCS | 1 |
| 33 | 80320701     | Solenoid 50*50                       | PCS | 1 |
| 34 | 80763612-BL  | M6*12 Hexagon Round Head Screw       | PCS | 2 |
| 35 | 80763516-BL  | M5*16 Hexagon Round Head Screw       | PCS | 6 |
| 36 | 80763820-BL  | M8*20 Hexagon Round Head Screw       | PCS | 4 |
| 37 | 80900831     | Nut with Cap M8                      | PCS | 8 |
| 38 | 80277108-20  | Foot M8-20                           | PCS | 4 |
| 39 | 80060108-425 | Gas Spring FHL62-M8-425              | PCS | 2 |
| 40 | 5060162001   | Foam Packaging Box 1620 - Upper      | PCS | 1 |
| 41 | 5060162002   | Foam Packaging Box 1620 - Lower      | PCS | 1 |